

# ACCEL BOARD™

## Manual

*All Mikroelektronika's development systems feature a large number of peripheral modules expanding microcontroller's range of application and making the process of program testing easier. In addition to these modules, it is also possible to use numerous additional modules linked to the development system through the I/O port connectors. Some of these additional modules can operate as stand-alone devices without being connected to the microcontroller.*

# Additional Board

 **MikroElektronika**

SOFTWARE AND HARDWARE SOLUTIONS FOR EMBEDDED WORLD ...making it simple

## ACCEL Board

The *Accel Board* is an additional board used to measure the force of gravity and acceleration, to detect rotation, etc.

### Key features:

- 3-axis sensing;
- Power supply voltage 5V DC; and
- Low-power consumption.

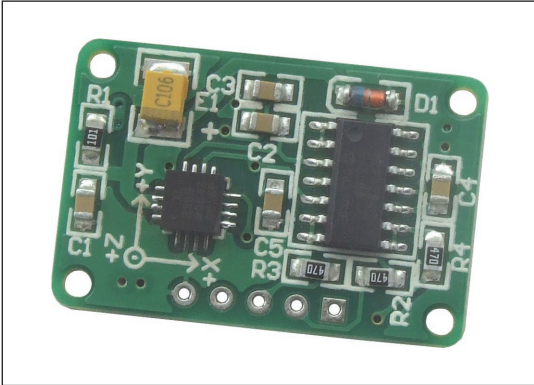


Figure 1: *Accel Board*

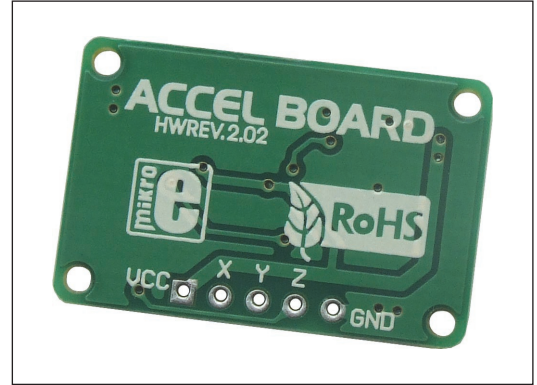


Figure 2: Back side of the *Accel Board*

### How to connect the board?

The *Accel Board* is connected to the microcontroller or some other device via pads. To make the connection easy all the pads are clearly marked on the back of the board.

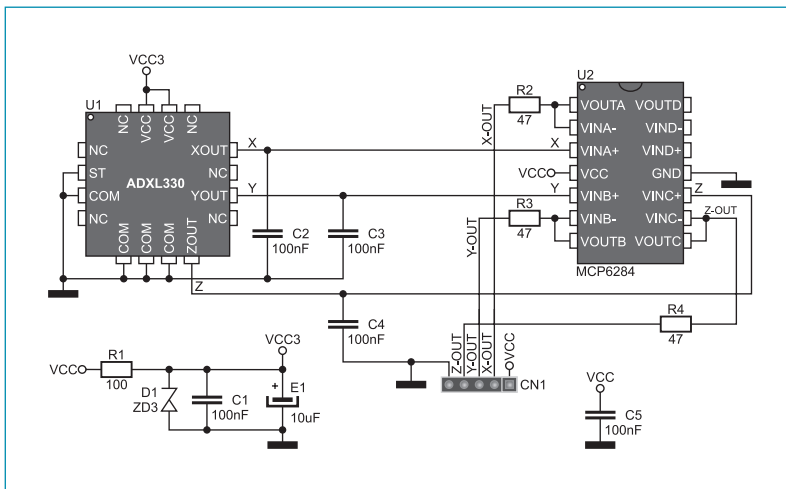


Figure 3: *Accel Board* connection schematic

The function of the additional board's pins:

- X - X axis output
- Y - Y axis output
- Z - Z axis output
- VCC - 5V DC power supply voltage
- GND - Ground





**MikroElektronika**  
SOFTWARE AND HARDWARE SOLUTIONS FOR EMBEDDED WORLD ...making it simple

If you want to learn more about our products, please visit our website at [www.mikroe.com](http://www.mikroe.com)

If you are experiencing some problems with any of our products or just need additional information, please place your ticket at [www.mikroe.com/en/support](http://www.mikroe.com/en/support)

If you have any questions, comments or business proposals, do not hesitate to contact us at [office@mikroe.com](mailto:office@mikroe.com)