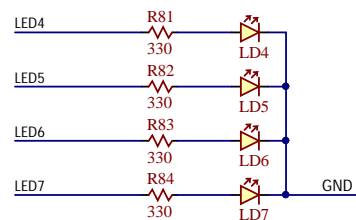
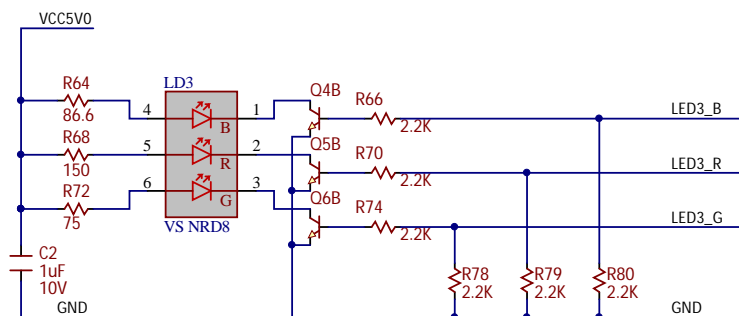
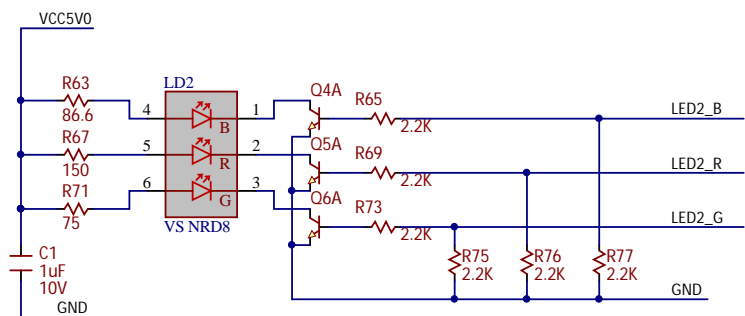
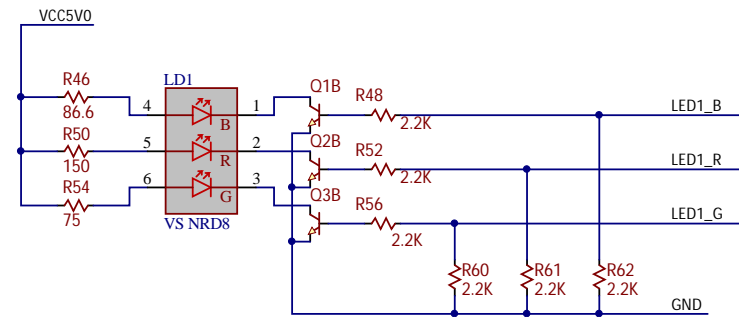
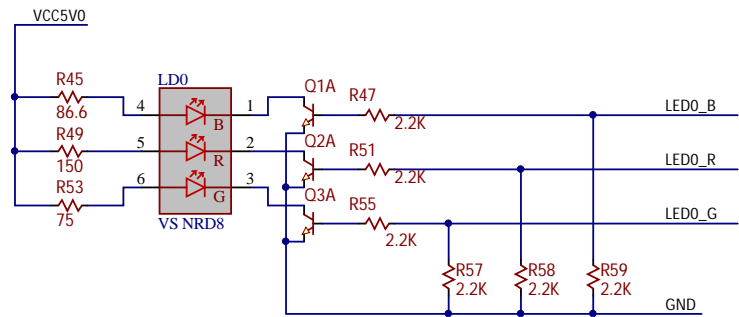


- Foot
- F1
- Foot
- F2
- Foot
- F3
- Foot
- F4

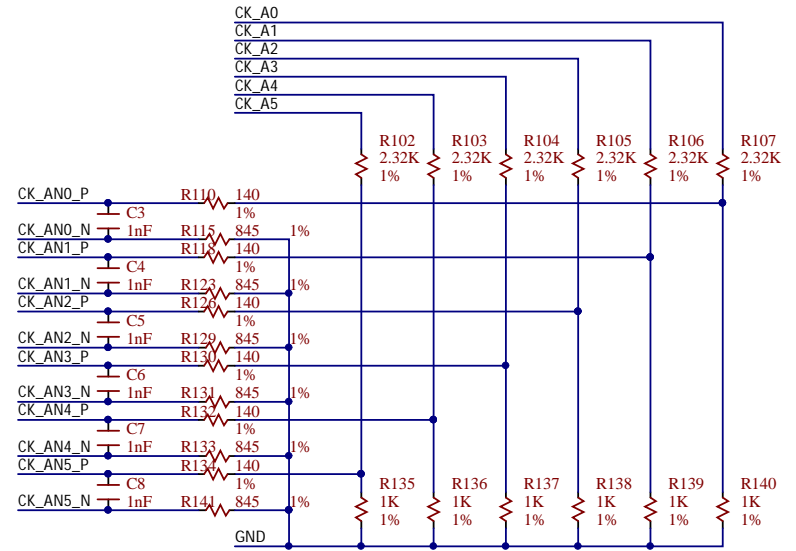
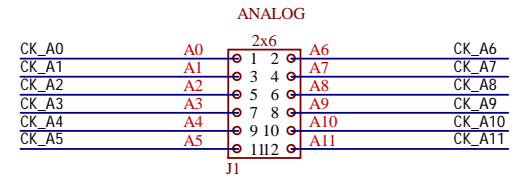
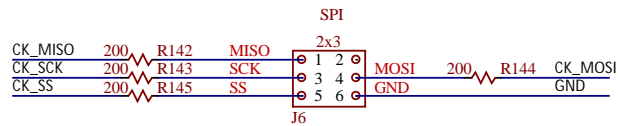
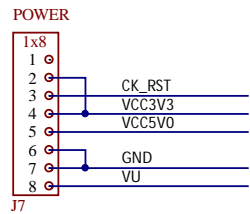
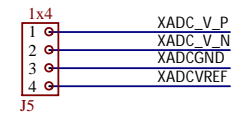
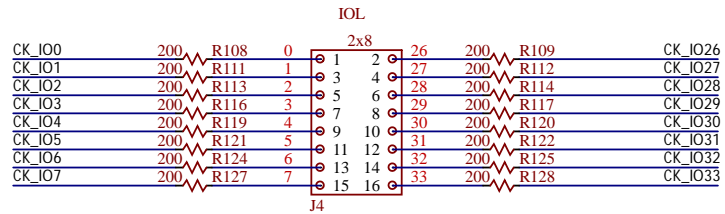
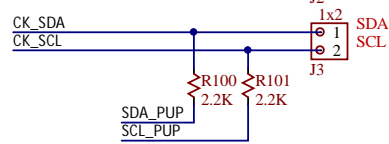
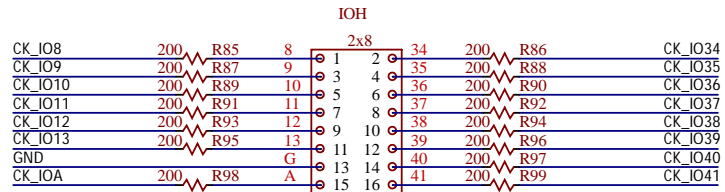
Title Arty A7		Rev E.0 Copyright 2018
Circuit Pmod, BTN, SWTs		
Doc#	500-319	
Engineer	MTA	
Author	GMA	
Date	1/9/2018	
Sheet#	1 out of 12	





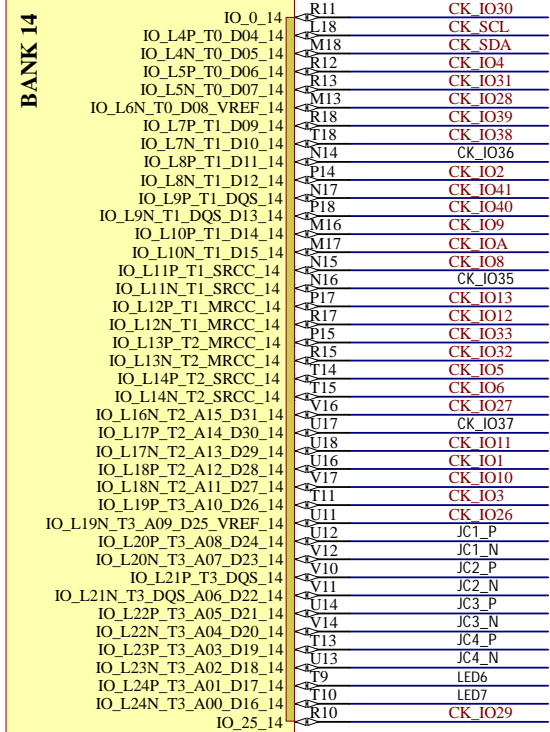
Title		Rev
Arty A7		E.0
		Copyright 2018
Circuit LEDs		
Doc#	500-319	
Engineer	MTA	
Author	GMA	
Date	1/9/2018	
Sheet#	2 out of 12	





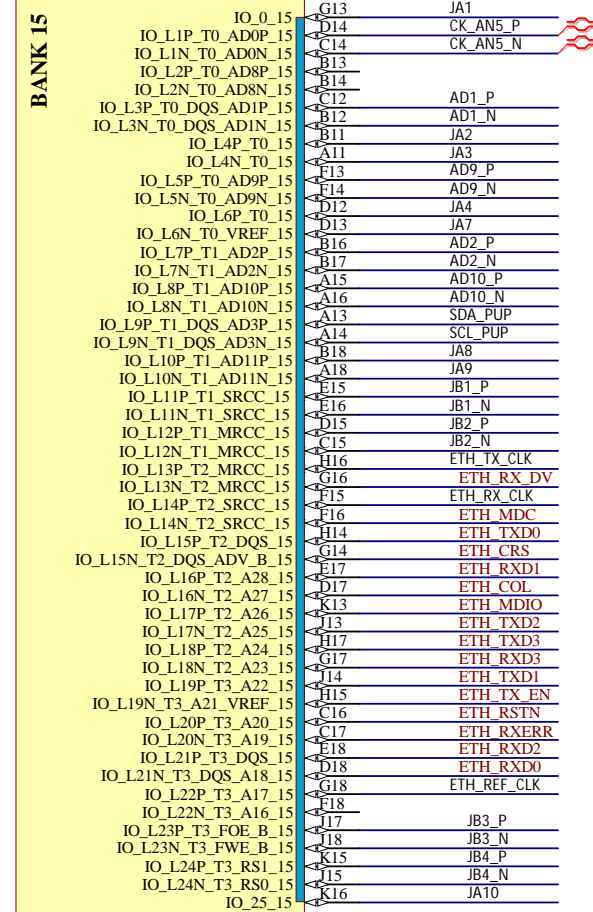
Title		Rev
Arty A7		E.0
Circuit		Copyright 2018
ChipKIT IO		
Doc#	500-319	
Engineer	MTA	
Author	GMA	
Date	1/9/2018	
Sheet#	3 out of 12	

IC1A



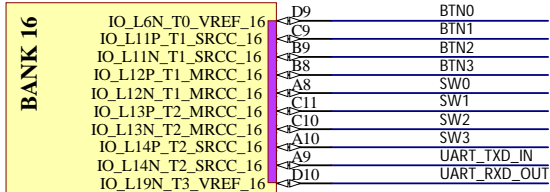
XC7A100T-ICSG324C

IC1B

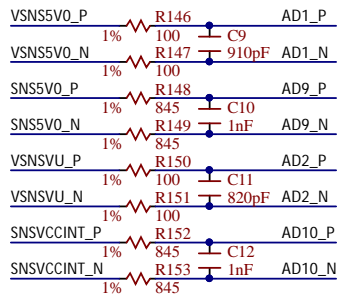


XC7A100T-ICSG324C

IC1C



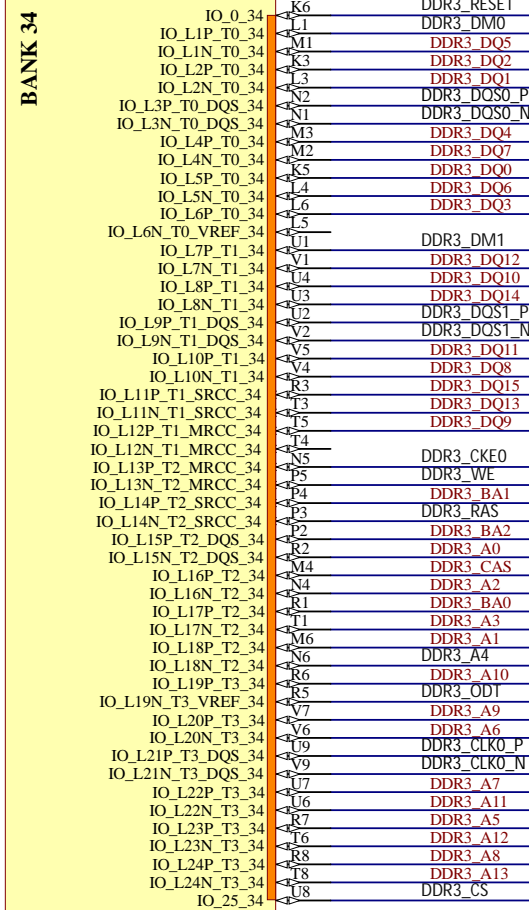
XC7A100T-ICSG324C



Title		Rev
Arty A7		E.0
		Copyright 2018
Circuit	FPGA Banks	
Doc#	500-319	
Engineer	MTA	
Author	GMA	
Date	1/9/2018	
Sheet#	4 out of 12	

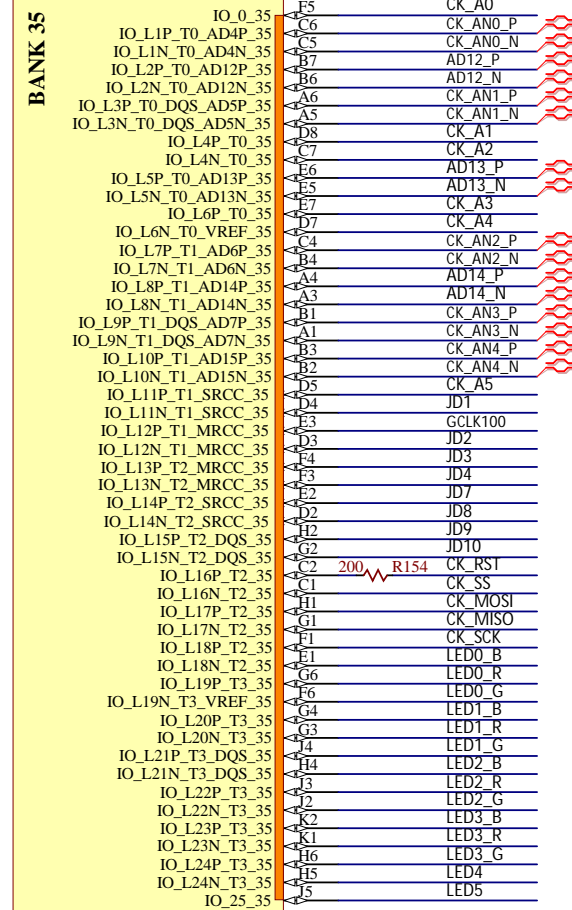


IC1D

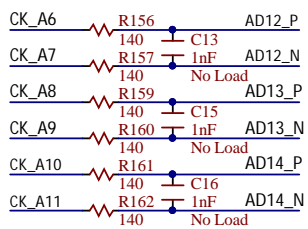
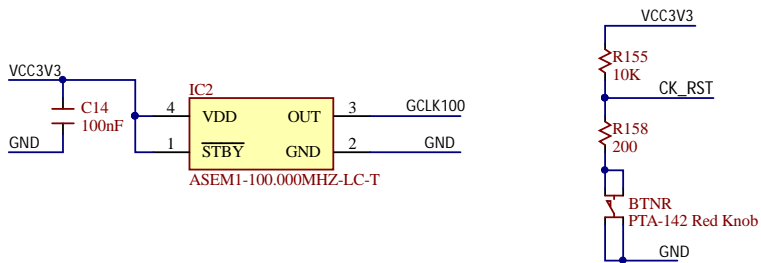


XC7A100T-1CSG324C

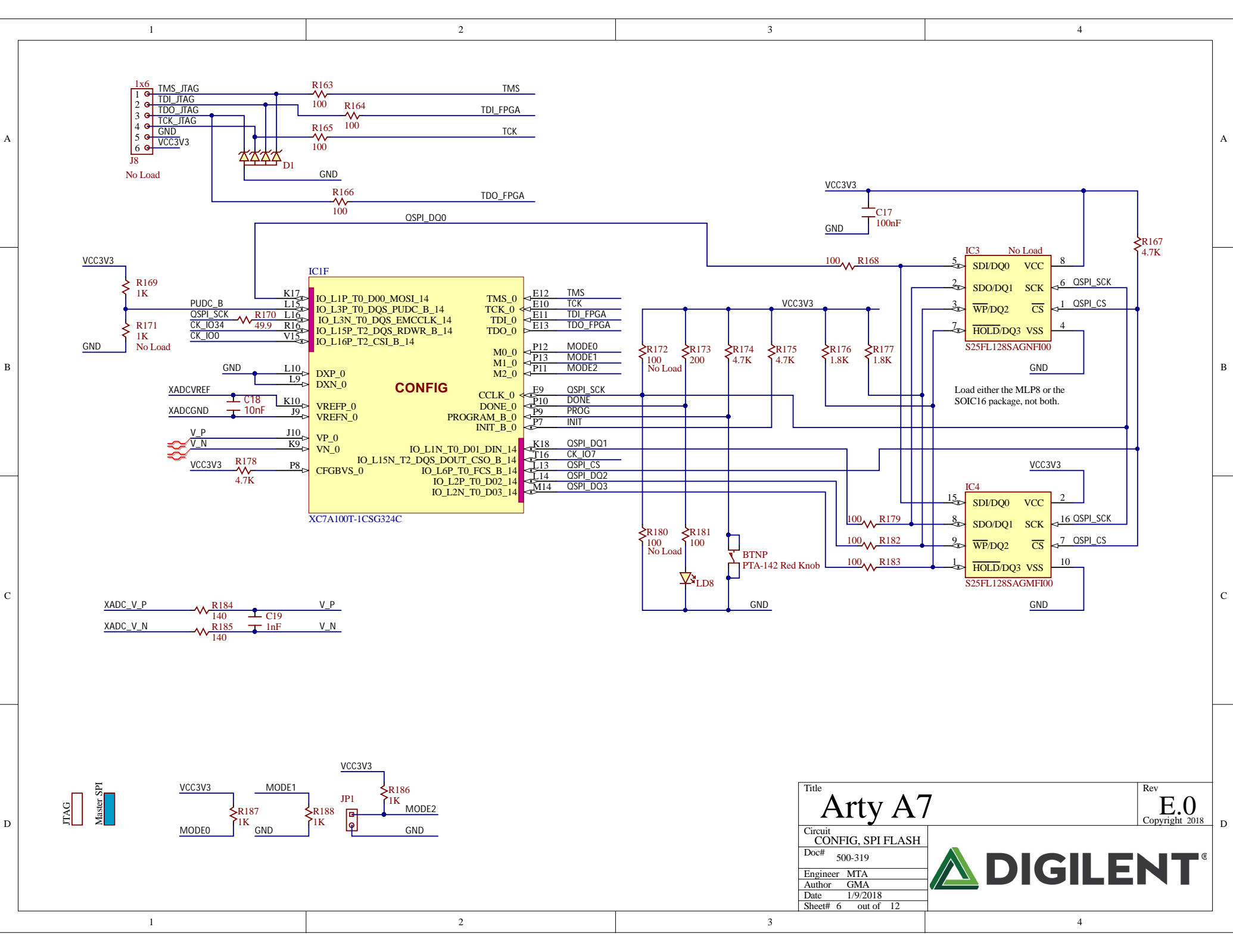
IC1E



XC7A100T-1CSG324C

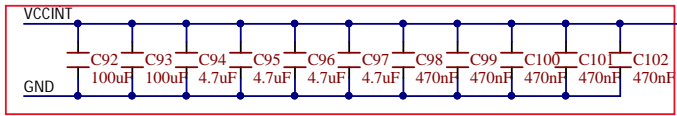
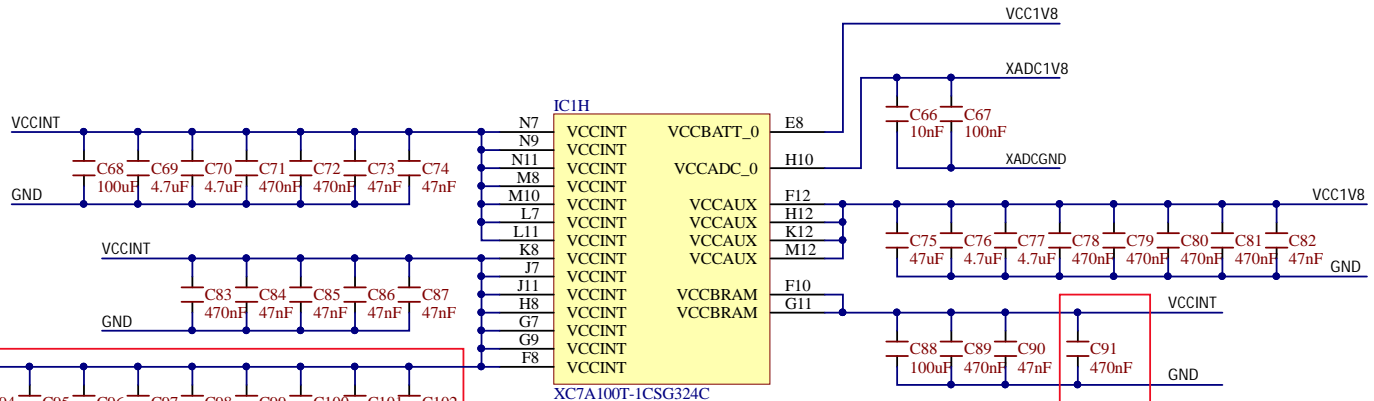
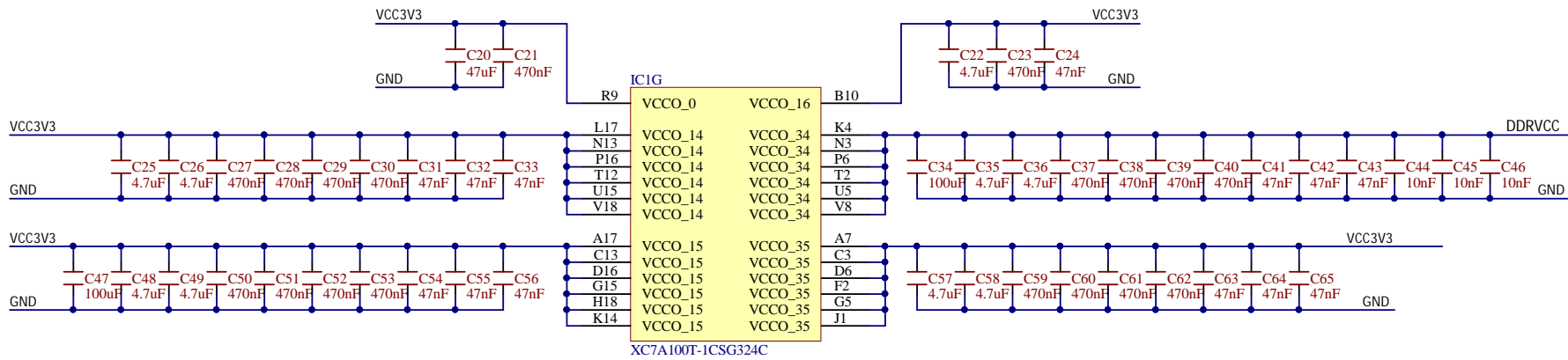


Title		Rev
Arty A7		E.0
		Copyright 2018
Circuit		
FPGA Banks		
Doc#	500-319	
Engineer	MTA	
Author	GMA	
Date	1/9/2018	
Sheet#	5 out of 12	

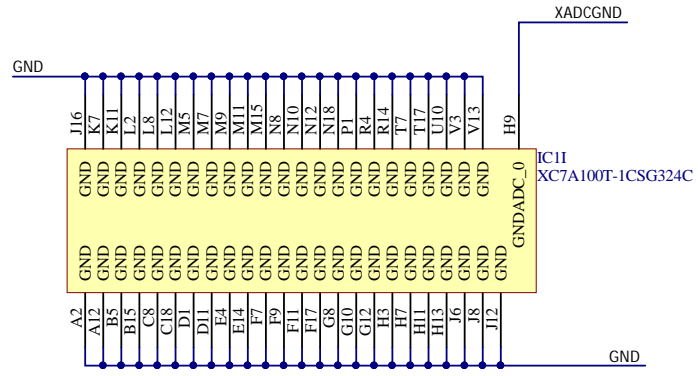


Title Arty A7		Rev E.0
Circuit CONFIG, SPI FLASH		Copyright 2018
Doc#	500-319	
Engineer	MTA	
Author	GMA	
Date	1/9/2018	
Sheet#	6 out of 12	



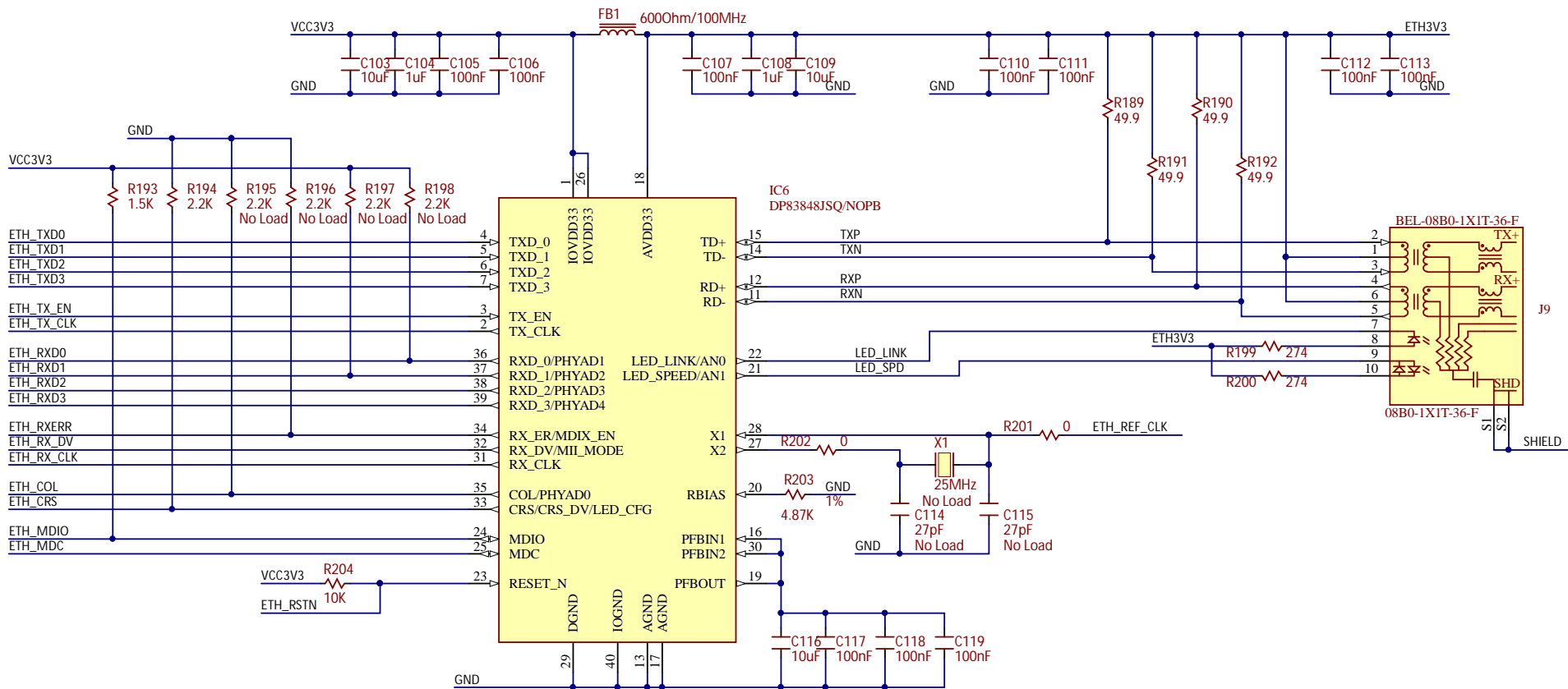


Note: Extra capacitors are no load on 35T



Title		Rev
Arty A7		E.0
		Copyright 2018
Circuit	FPGA Power	
Doc#	500-319	
Engineer	MTA	
Author	GMA	
Date	1/9/2018	
Sheet#	7 out of 12	



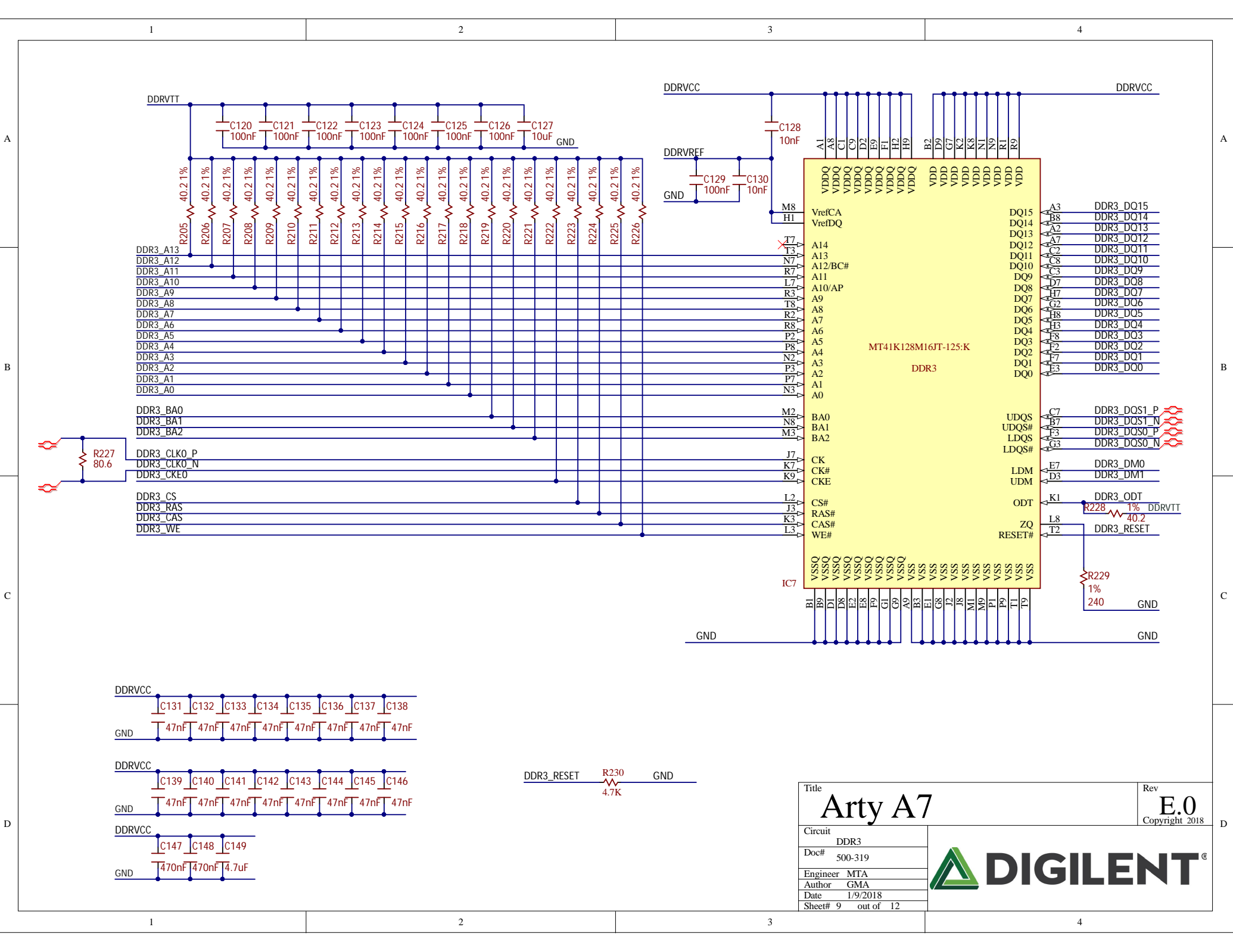


NOTE: REF_CLK In Mode (ETH_REF_CLK = 25MHz)

NOTE: PHY MDIO Address = 00001

Title Arty A7		Rev E.0 Copyright 2018
Circuit	ETHERNET	
Doc#	500-319	
Engineer	MTA	
Author	GMA	
Date	1/9/2018	
Sheet#	8 out of 12	





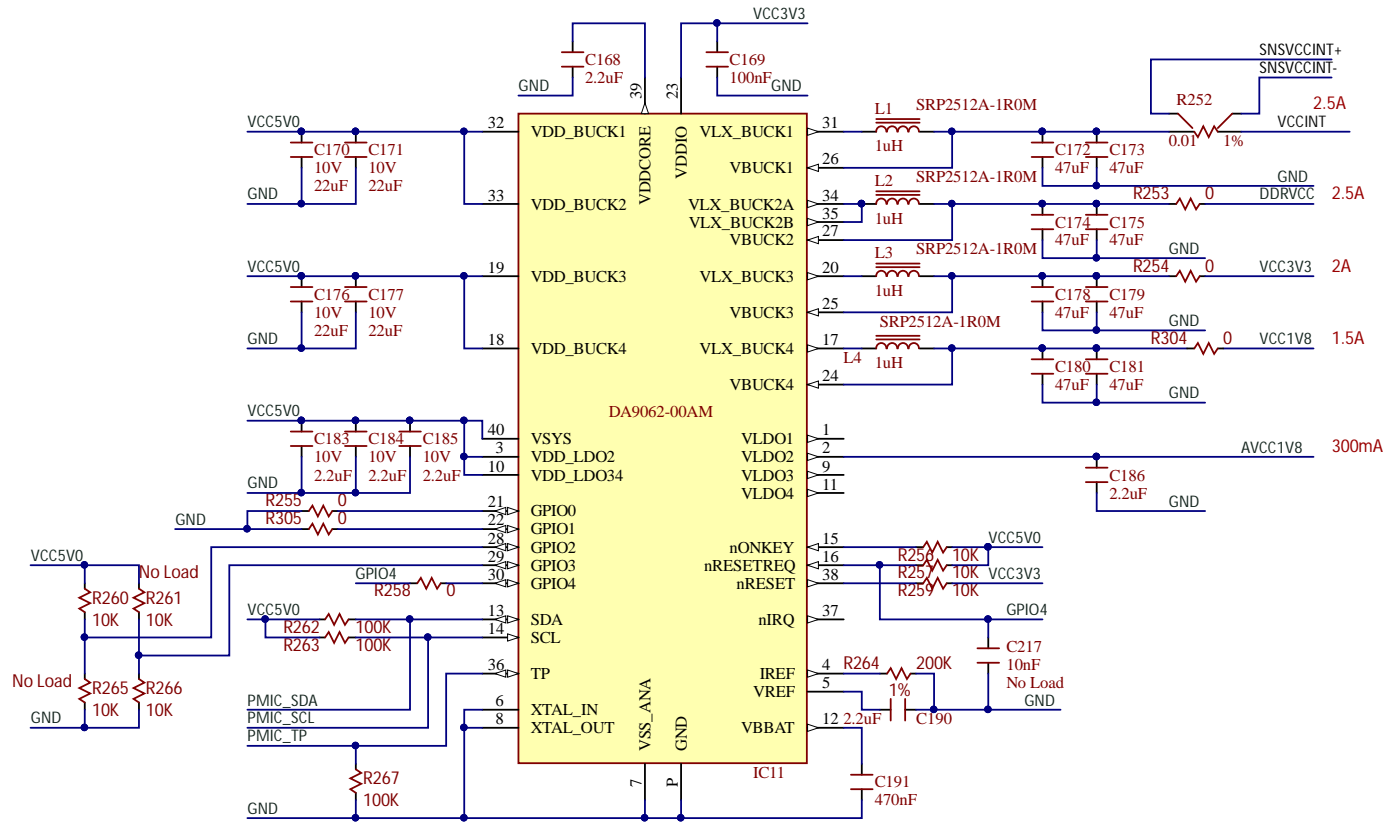
Title		Rev
Arty A7		E.0
Circuit		Copyright 2018
Doc#	500-319	
Engineer	MTA	
Author	GMA	
Date	1/9/2018	
Sheet#	9 out of 12	



This page intentionally left blank.

Title	Arty A7	Rev	E.0
			Copyright 2018
Circuit	USB PROG/UART		
Doc#	500-319		
Engineer	MTA		
Author	GMA		
Date	1/9/2018		
Sheet#	10 out of 12		



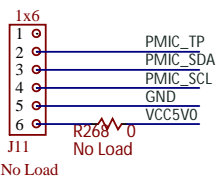


VCCINT Voltage Configuration

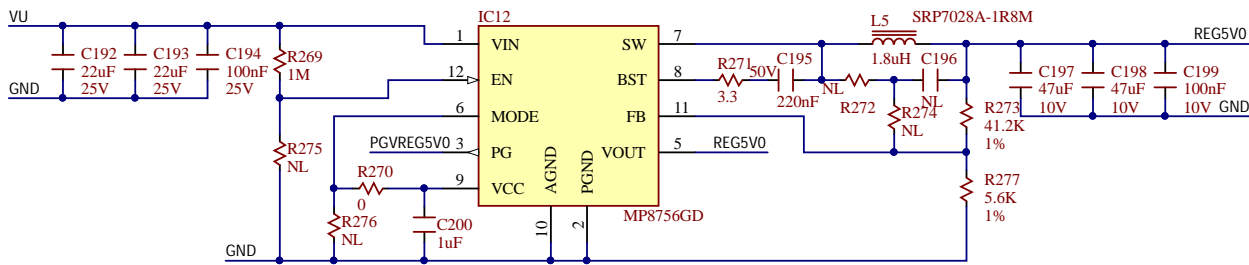
R260	R265	VCCINT
Load	No Load	1.0V
No Load	Load	0.95V

DDR Voltage Configuration

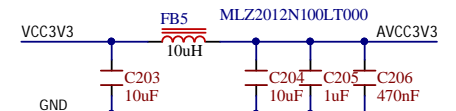
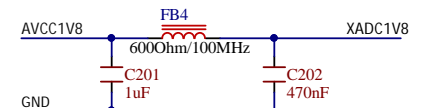
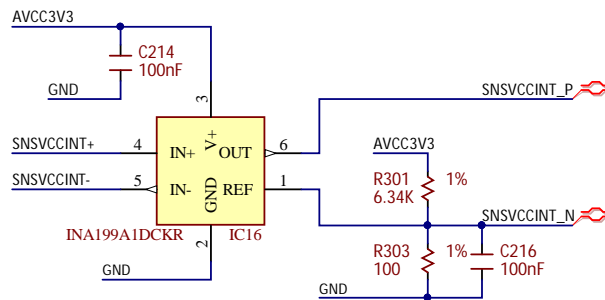
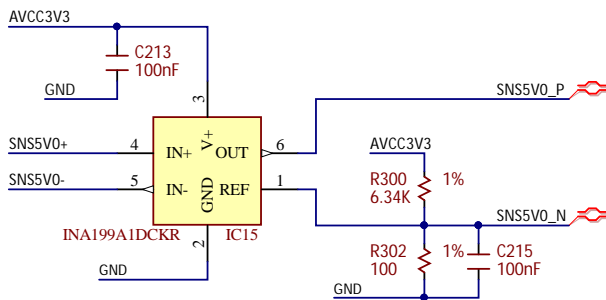
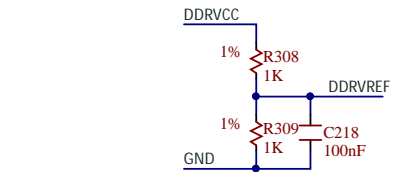
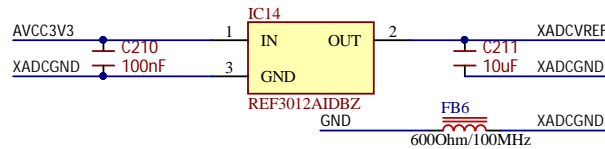
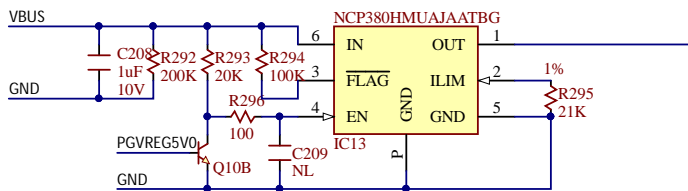
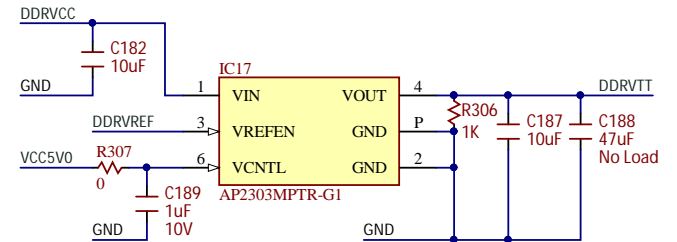
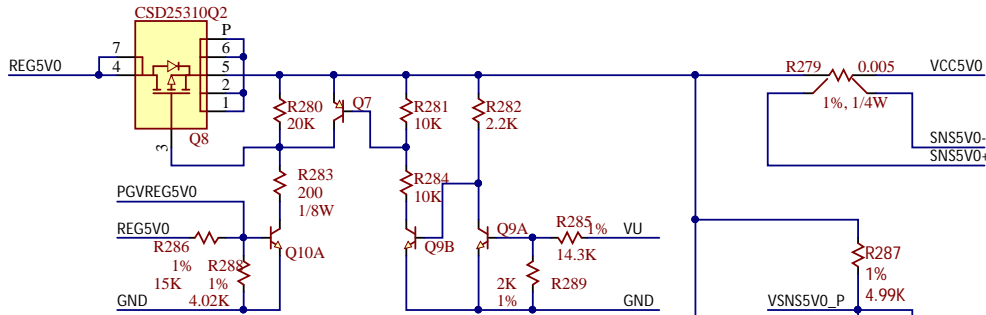
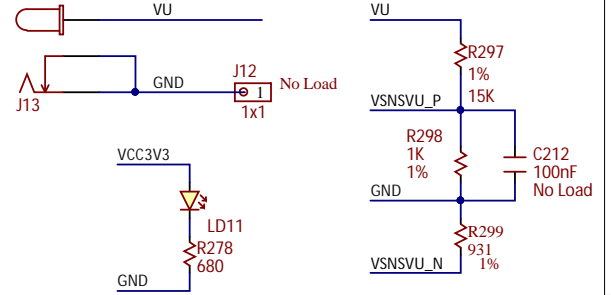
R261	R266	DDRVCC	DDRVTT
Load	No Load	1.5V	0.75V
No Load	Load	1.35V	0.675V



Title Arty A7		Rev E.0 Copyright 2018
Circuit Power Regulation		
Doc# 500-319		
Engineer MTA		
Author GMA		
Date 1/9/2018		
Sheet# 11 out of 12		



Note: Input Voltage 7-15V.



Title Arty A7		Rev E.0
Circuit Power Regulation		Copyright 2018
Doc#	500-319	
Engineer	MTA	
Author	GMA	
Date	1/9/2018	
Sheet#	12 out of 12	

