

- Ground
- Power
- LED
- Internal Pin
- SWD Pin
- Digital Pin
- Analog Pin
- Other Pin
- Microcontroller's Port
- Default

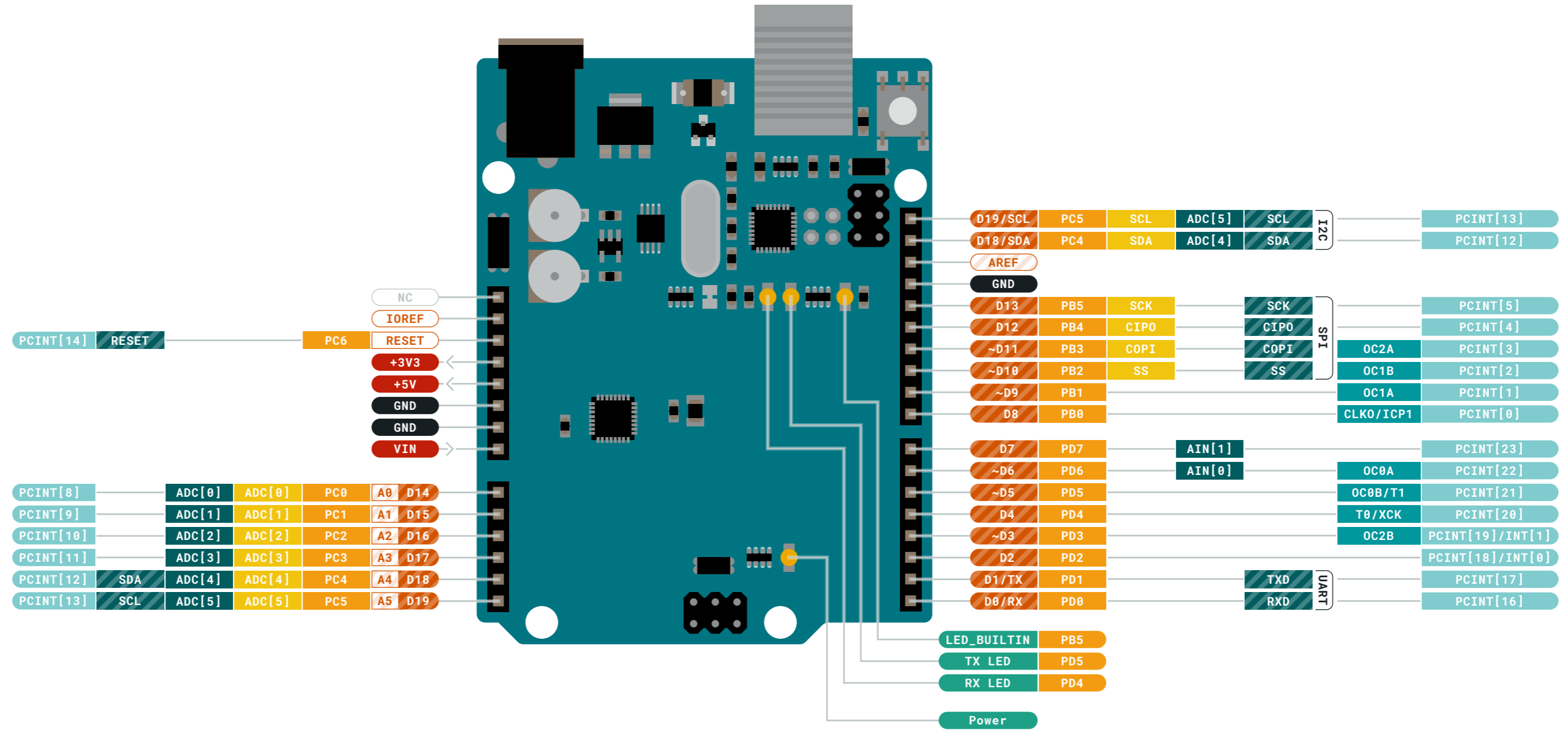
⚠️ MAXIMUM current per I/O pin is 20mA

⚠️ MAXIMUM current per +3.3V pin is 50mA

VIN 6-20 V input to the board.

NOTE: CIPO/COPI have previously been referred to as MISO/MOSI





- Ground
- Power
- LED
- Internal Pin
- SWD Pin
- Digital Pin
- Analog Pin
- Other Pin
- Microcontroller's Port
- Default
- Analog
- Communication
- Timer
- Interrupt
- Sercom

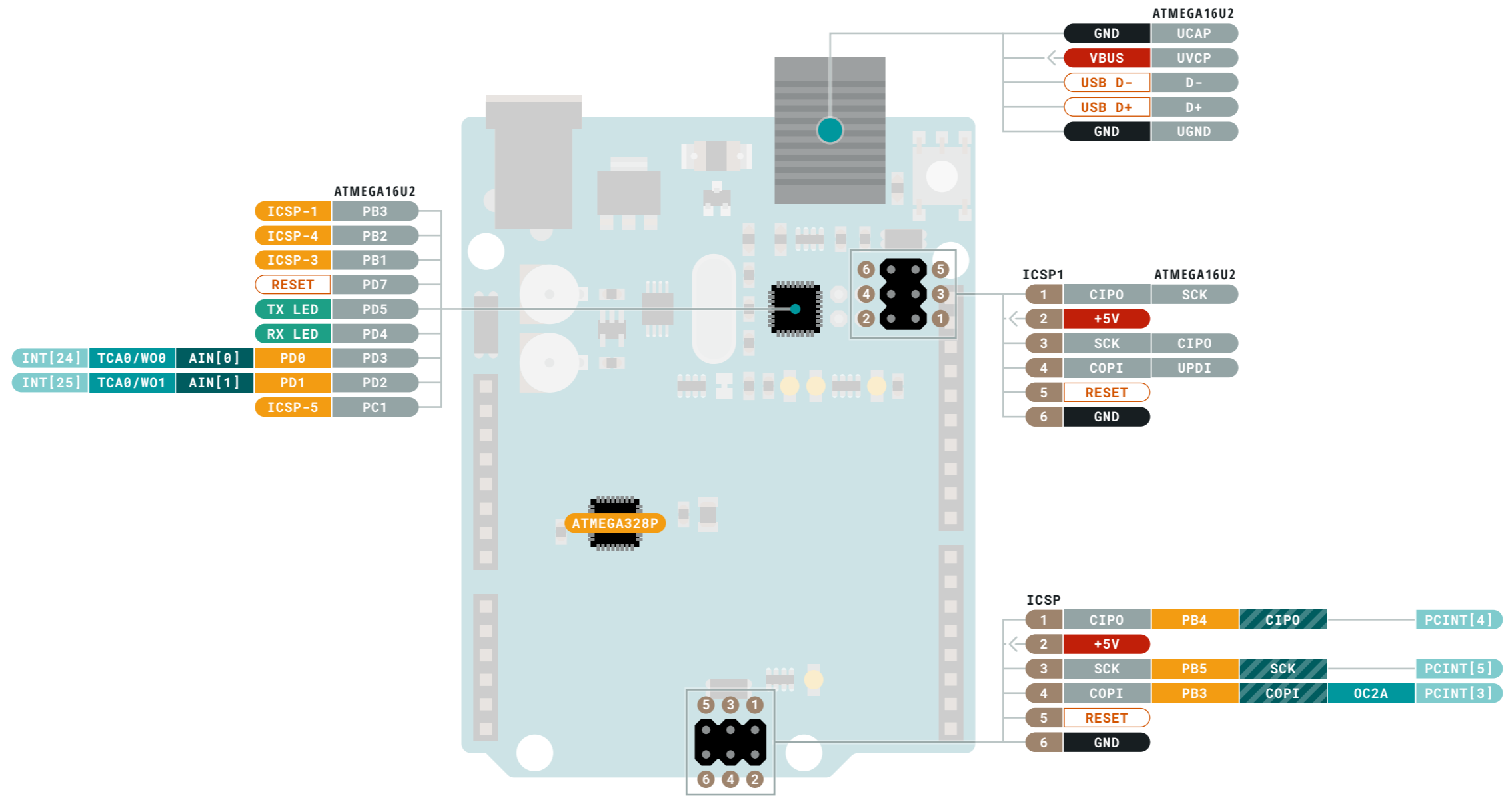
⚠️ MAXIMUM current per I/O pin is 20mA

⚠️ MAXIMUM current per +3.3V pin is 50mA

VIN 6-20 V input to the board.

NOTE: CIP0/COPI have previously been referred to as MISO/MOSI





- Ground
- Power
- LED
- Internal Pin
- SWD Pin
- Digital Pin
- Analog Pin
- Other Pin
- Microcontroller's Port
- Default
- Analog
- Communication
- Timer
- Interrupt
- Sercom

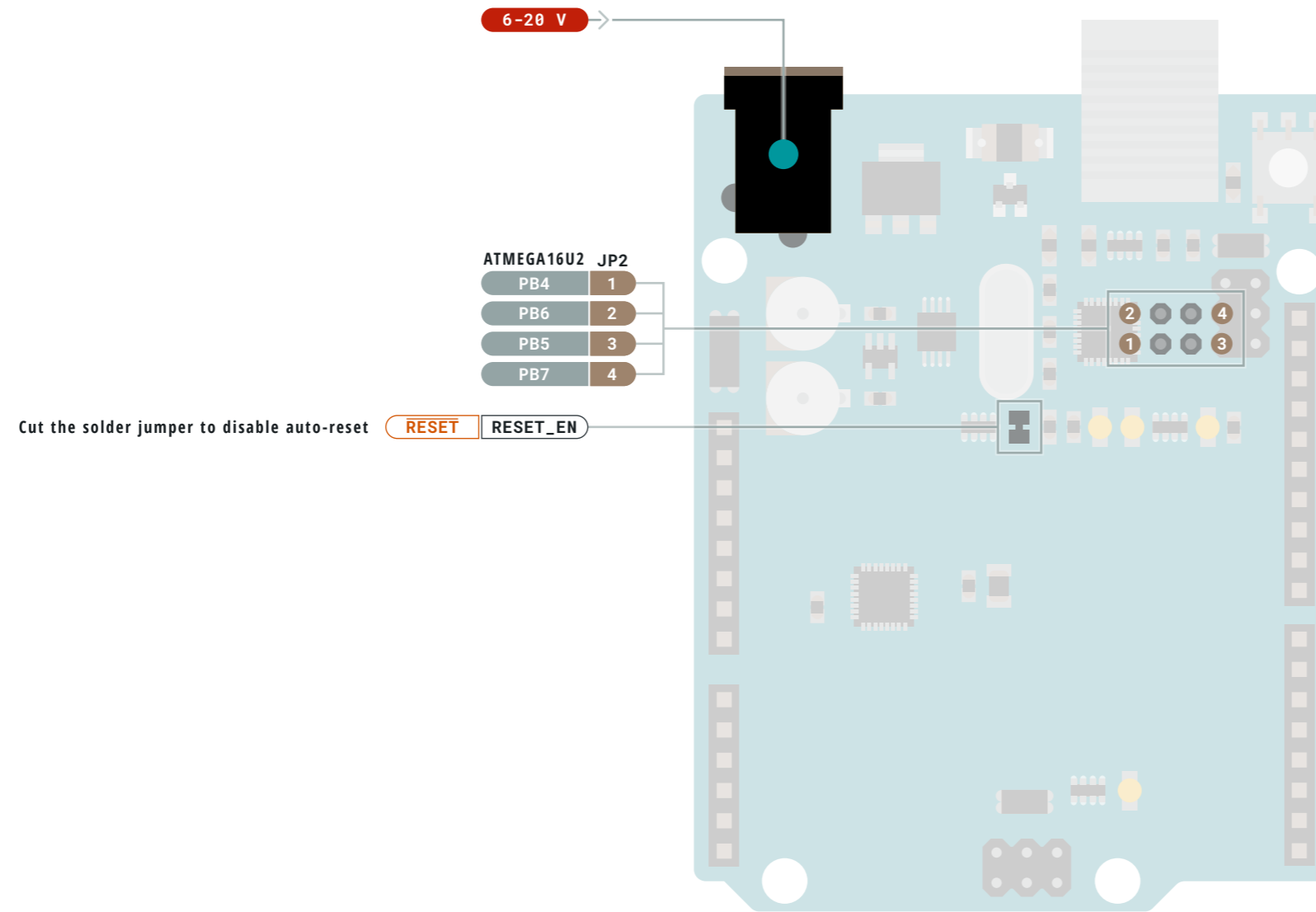
MAXIMUM current per I/O pin is 20mA

MAXIMUM current per +3.3V pin is 50mA

VIN 6-20 V input to the board.

NOTE: CIPO/COPI have previously been referred to as MISO/MOSI





- Ground
- Power
- LED
- Internal Pin
- SWD Pin
- Digital Pin
- Analog Pin
- Other Pin
- Microcontroller's Port
- Default
- SJ Pin
Making a short circuit using the solder jumper allows only the function in the SJ Pin cells.

- ⚠ **MAXIMUM** current per I/O pin is 20mA
- ⚠ **MAXIMUM** current per +3.3V pin is 50mA

VIN 6-20 V input to the board.

