

NEW

ILT Series Illuminated Toggle Switch

Features/Benefits

- **LED built in to toggle handle. Save panel space instead of having an separate indicator light.**
- **6 LED color options to choose from. Easily determine if the switch is ON or Off from any distance.**
- **Electrical ratings up to 20 Amps. Suitable for high amp, industrial applications.**
- **6.3 quick connect Terminals. Easy installation. No soldering required.**

Typical Applications

- **Telecommunications**
- **Instrumentation**
- **Medical equipment**

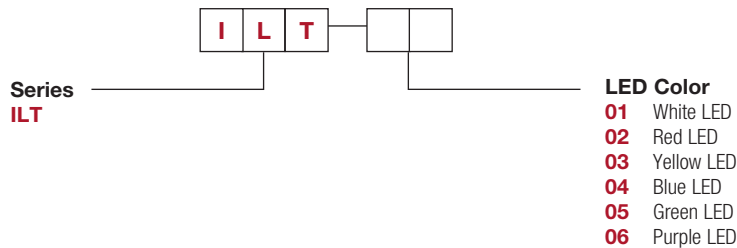


Specifications

RATINGS: 20A 12 VDC
 CONTACT RESISTANCE: 50 mΩ max.
 INSULATION RESISTANCE: 500V DC 1000MΩ min.
 DIELECTRIC STRENGTH: 1 Minute 1500V AC
 OPERATING TEMPERATURE: -25°C to +85°C
 ELECTRICAL LIFE: 10,000 cycles

Build-A-Switch

To order, simply select desired option from each category and place in the appropriate box. For additional options not shown in catalog, consult Customer Service Center.



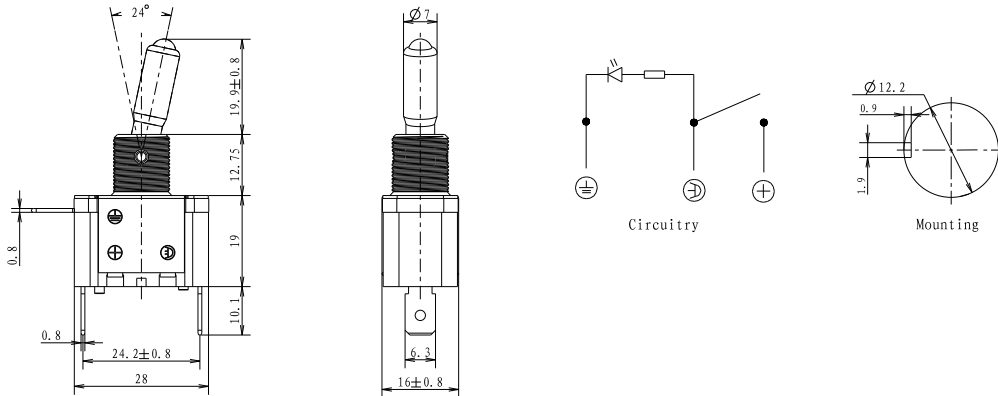
F

Toggle

ILT Series Illuminated Toggle Switch

SWITCH FUNCTION

UL** MODEL NO.	SWITCH FUNCTION	
	POS. 1	POS. 2
	KEYWAY	KEYWAY
ILT01	ON	OFF
ILT02	ON	OFF
ILT03	ON	OFF
ILT04	ON	OFF
ILT05	ON	OFF
ILT06	ON	OFF



Selection Guide

Dice	Lens Type	Luminous intensity(mcd) @ 20mA			Viewing Angle
		Min.	Typ	Max.	
White	Water Clear	10000	--	12000	20
Red	Red Diffused	200	--	500	30
Yellow	Yellow Diffused	200	--	500	20
Blue	Water Clear	3000	--	5000	20
Green	Green Diffused	8000	--	10000	30
Purple	Water Clear	3000	--	5000	20

Note:

1. 1/2 is the angle from optical centerline where the luminous intensity is 1/2 the optical centerline value.

2. the above luminous intensity measurement allowance tolerance $\pm 15\%$

Electrical / Optical Characteristics at Ta=25° C

Parameter	Units	White	Red	Yellow	Blue	Green	Purple
		Forward Voltage (VF)	V	2.8-3.6	2.0 Typ	2.0 Typ	2.8-3.6
Reverse Current (IR)	μ A	10 Max.	10 Max.	10 Max.	10 Max.	10 Max.	10 Max.
Dominate Wavelength(λ d)	nm	460-465	620-625	585-590	460-465	520-525	460-465

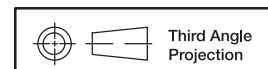
Absolute Maximum Ratings at Ta=25° C

Parameter	Units	White	Red	Yellow	Blue	Green	Purple
		Power Dissipation (Pd)	mW	90	60	60	90
DC Forward Current (IF)	mA	20	20	20	20	20	20
Peak Forward Current (I) (IFP)	mA	60	60	60	60	60	60
Reverse Voltage (VR)	V	5	5	5	5	5	5
Electrostatic Discharge (HR) (ESD)	V	2000	2000	2000	2000	2000	2000
Operating Temperature (Topr)	° C	-40°+80					
Storage Temperature (Tstg)	° C	-40°+100					

Note:

1. 1/10 Dut cycle, 0.1ms pulse width.

2. The above forward voltage measure ment allowance tolerance $\pm 0.1V$.



Third Angle
Projection

Dimensions are shown: Inches (mm)
Specifications and dimensions subject to change