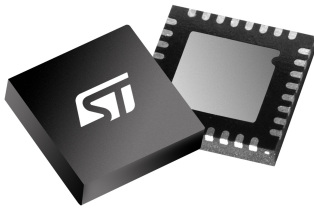



1x10 W digital input class-D automotive audio amplifier with advanced diagnostics, wide voltage operating range for telematics and e-Call application



QFN32 (exposed pad down)

Features

- AEC-Q100 qualified 
- Integrated 100 dB D/A conversion
- I²S and TDM digital input (up to 16CH TDM)
- Selectable input sample rate frequency (8/16/32/44.1/48/96)
- Wide supply operating range: 3.3 V - 18 V
- PWM frequency switching selectable by I²C
 - 352.8 kHz, 384kHz, 411.6 kHz, 448 kHz
- 2 I²C addresses
- MOSFET power outputs
 - Typ 10 W 4 Ω @ 14.4 V, 1 kHz THD = 1 %
 - Typ 5 W 8 Ω @ 14.4 V, 1 kHz THD = 1 %
- Noise: 80 μV A-weighted: 20 kHz
- 8 Ω, 4 Ω driving capability
- Input amplitude limiter (configurable through I²C)
- I²C full configurability and diagnostic
 - Startup diagnostic
 - Input voltage amplitude limiter function (configurable through I²C)
 - 4 x Thermal warning
 - DC diagnostic
 - OCP protection scheme configurable
 - Mute time configuration
- Capability to run complete diagnostic in play
 - Configurable Clipping Detector
 - One of the Thermal Warnings
 - Over Current Protection
 - Open Load detection
 - High voltage mute
- 2 CD/Diag pin
- Integrated ESD and short circuit protection
- QFN32 wettable flanks
- Tested according to CISPR 25 - Class V (Fourth edition)

Product status link

[FDA803S](#)

Product summary

Order code	FDA803S-6DY
Package	QFN32 (exp. pad down)
Packing	Tray

Description

The **FDA803S** is the new ST single channel class-D audio amplifier, specifically designed for automotive applications. The FDA803S integrates a 24-bit, 100 dB DAC conversion and PWM class-D output stage with feedback before LC filter. This configuration enables the design of a compact and inexpensive application.

The FDA803S supports I²S and TDM digital bit stream up to 16CH with several sampling frequencies from 8 kHz up to 96 kHz. FDA803S embeds a complete diagnostic in play to support the most demanding OEM requirements in terms of speaker control and system robustness/ reliability.

The FDA803S supports start stop cranking down to 3.3 V and it is available in a very compact and thin QFN 5x5 package. Thus the FDA803S is suitable for any level of automotive application especially e-Call and Telematics.

1 Block diagram and pins description

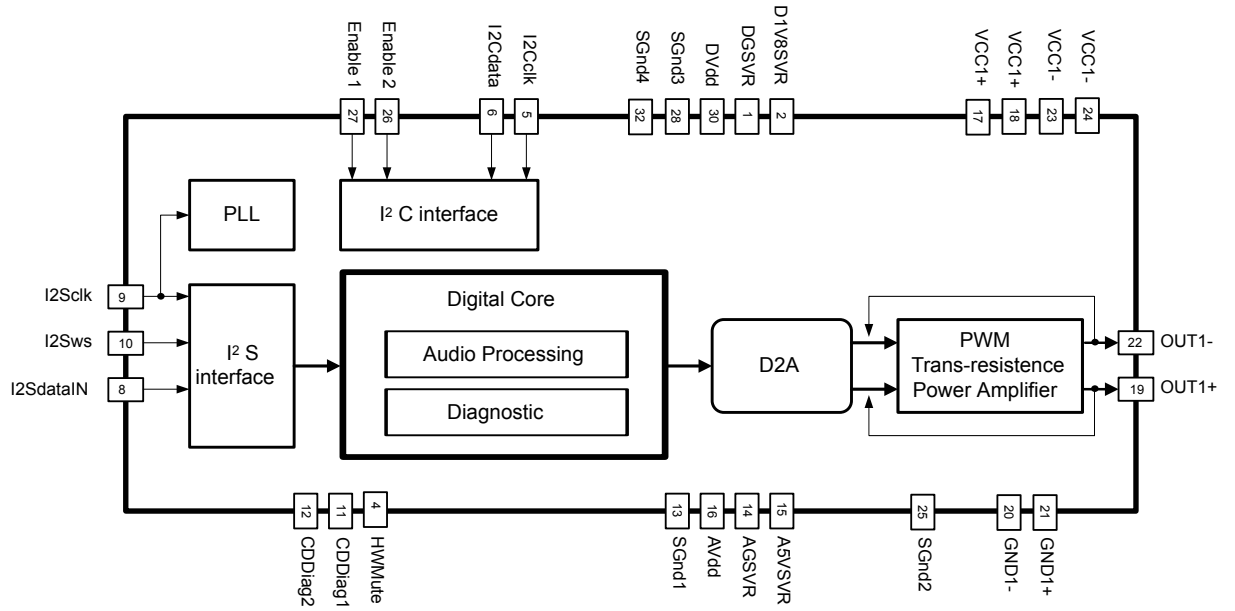
Figure 1. Block diagram


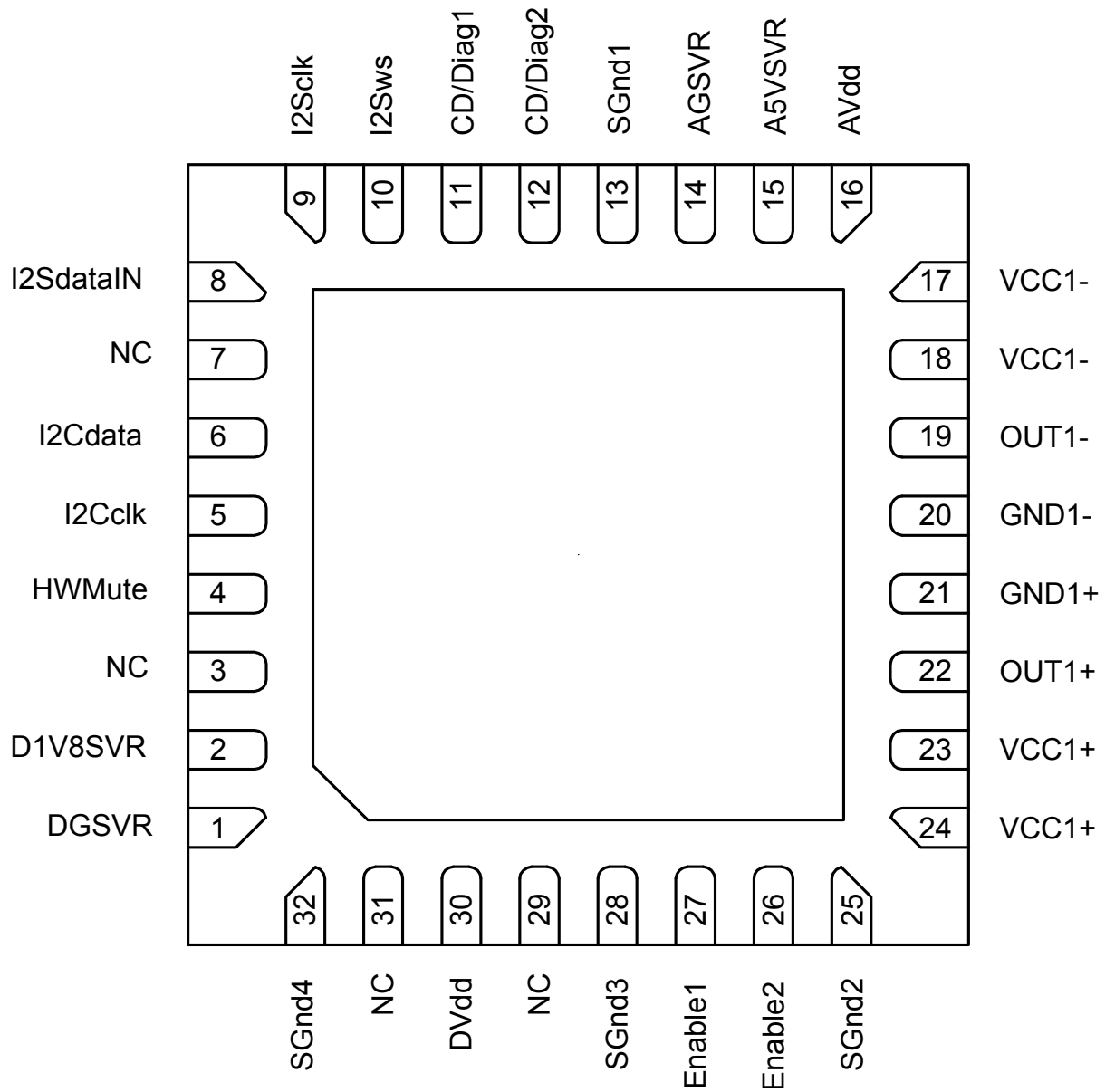
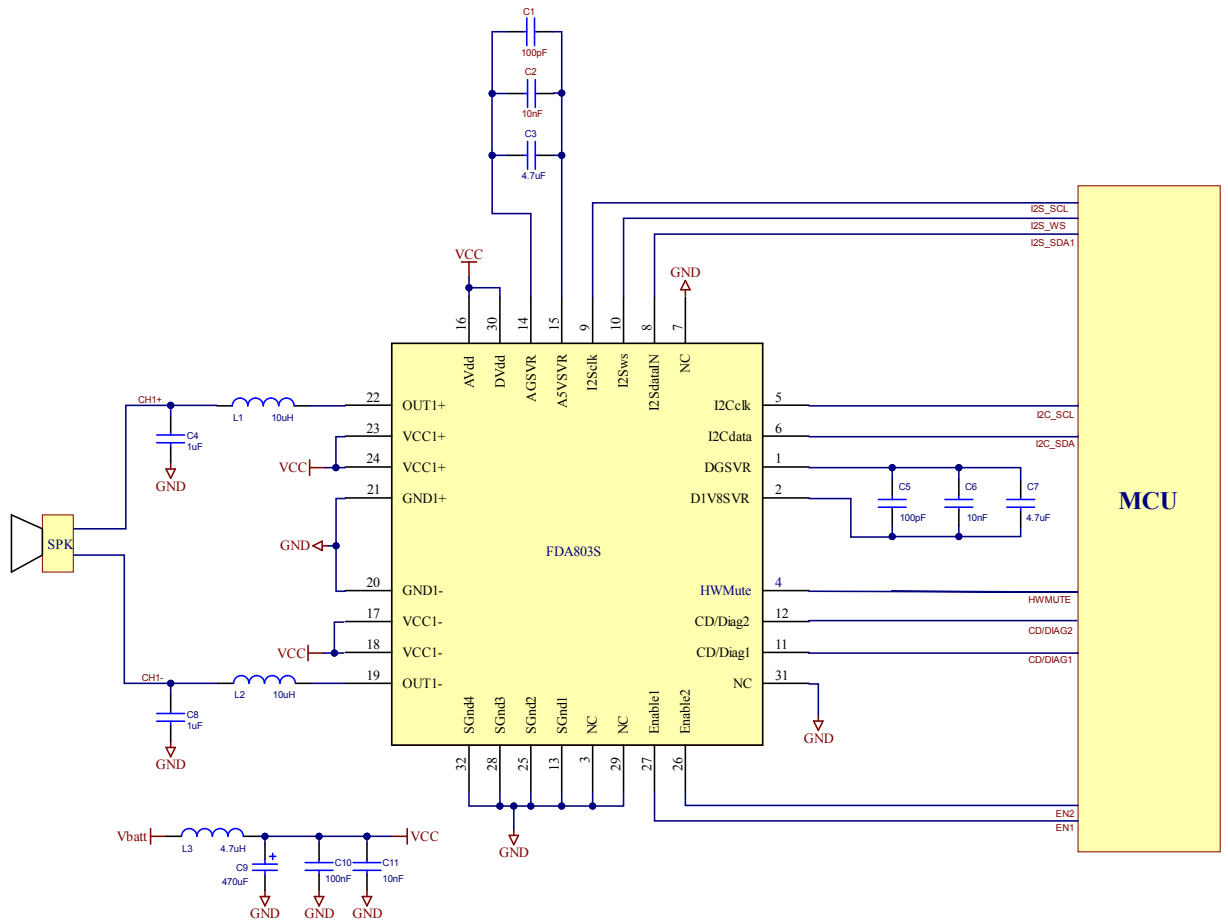
Figure 2. Pin connection diagram (bottom view)


Table 1. Pins description

N#	Pin	Function	Definition	Internal structure
1	DGSVR	Negative digital supply (Internally generated)	Internal Regulator	-
2	D1V8SVR	Positive digital supply (Internally generated)	Internal Regulator	-
3	NC	Connected to GND	-	-
4	HWMute	Hardware mute pin	Input	-
5	I ² Cclk	I ² C Clock	Input	-
6	I ² Cdata	I ² C Data	Input/Output	Open-Drain
7	NC	Connected to GND	-	-
8	I ² SdataIN	I ² S/TDM Data	Input	-
9	I ² Sclk	I ² S/TDM Clock	Input	-
10	I ² Sws	I ² S/TDM Sync	Input	-
11	CD/Diag1	Clipping detector and diagnostic	Output	Open-Drain
12	CD/Diag2	Clipping detector and diagnostic	Output	Open-Drain
13	SGnd1	Ground of lower side of circuit, connected to GND	Supply	-
14	AGSVR	Negative digital supply (Internally generated)	Internal Regulator	-
15	A5VSVR	Positive digital supply (Internally generated)	Internal Regulator	-
16	AVdd	Analog supply	Supply	-
17	VCC1-	Channel 1, half bridge minus, Power Supply	Supply	-
18	VCC1-	Channel 1, half bridge minus, Power Supply	Supply	-
19	OUT1-	Channel 1, half bridge minus	Output	-
20	GND1-	Channel 1, half bridge minus, Power Ground	Supply	-
21	GND1+	Channel 1, half bridge plus, Power Ground	Supply	-
22	OUT1+	Channel 1, half bridge plus	Output	-
23	VCC1+	Channel 1, half bridge plus, Power Supply	Supply	-
24	VCC1+	Channel 1, half bridge plus, Power Supply	Supply	-
25	SGnd2	Ground of upper side of circuit, connected to GND	Supply	-
26	Enable2	Enable pin	Input	-
27	Enable1	Enable pin	Input	-
28	SGnd3	Ground of upper side of circuit, connected to GND	Supply	-
29	NC	Connected to GND	-	-
30	DVdd	Digital supply	Supply	-
31	NC	Connected to GND	-	-
32	SGnd4	Ground of upper side of circuit, connected to GND	Supply	-

Figure 3. Application diagram



2 Electrical specifications

2.1 Thermal data

Table 2. Thermal resistance

Symbol	Parameter	Value	Unit
$R_{th\ j-a-2s2pv}$	Thermal resistance junction-to-ambient (2s2p+vias)	32.4	°C/W

Note:

- *2s2p is referred to a board with 2 layers dedicated to the signals and 2 layers dedicated to the power signals and supplies.*
- *from simulation according to Jedec best practice guidelines (JESD51-12) $T_{AMB} = 25\text{ °C}$ Infinite Heat Sink.*

3 General information

The FDA803S is a fully digital single channel class-D audio amplifier with feedback before LC filter, designed for compact and low-cost Application, such as Telematics and eCall. The feedback before LC architecture has been chosen for allowing smaller components for the demodulator filter, saving cost and space occupation.

The I²S interface is used to provide the audio bit stream, with several sampling frequency from 8 kHz up to 96 kHz. The standard format is used for 4 channels applications, while the TDM allows to work up to 16 channels. The I²C interface is used to communicate and control the state of the power amplifier, perform the diagnostic and other features.

The FDA803S embeds an internal 24 bits DAC with 100 dB of resolution. Thanks to interpolation and noise shaping, the digital signal processing allows to reach up a good audio performance in a small device area. The internal PLL uses the clock frequency of the bit stream to generate the internal clock for the digital part and PWM for the outputs.

The innovative self-diagnostic algorithm, available also in play, allows the automatic detection of wrong load connections or variation of the load and provides this information through the I²C bus to an external microcontroller.

The communication to the microcontroller is improved by two dedicated CD/Diag. All the useful information, such as thermal warnings, input and output offset detection, and some more can be selected by the I²C setting and addressed to the one of the CD/Diag pins. Furthermore, one of these pins could be used to synchronize other devices on the platform for better EMC management.

4 Package information

In order to meet environmental requirements, ST offers these devices in different grades of **ECOPACK** packages, depending on their level of environmental compliance. ECOPACK specifications, grade definitions and product status are available at: www.st.com. ECOPACK is an ST trademark.

4.1 QFN32 5x5x1 (3.5x3.5 32L exp. pad down) package information

Figure 4. QFN 5X5 EP 3.5x3.5 32L WITH WETTABLE FLANKS package outline

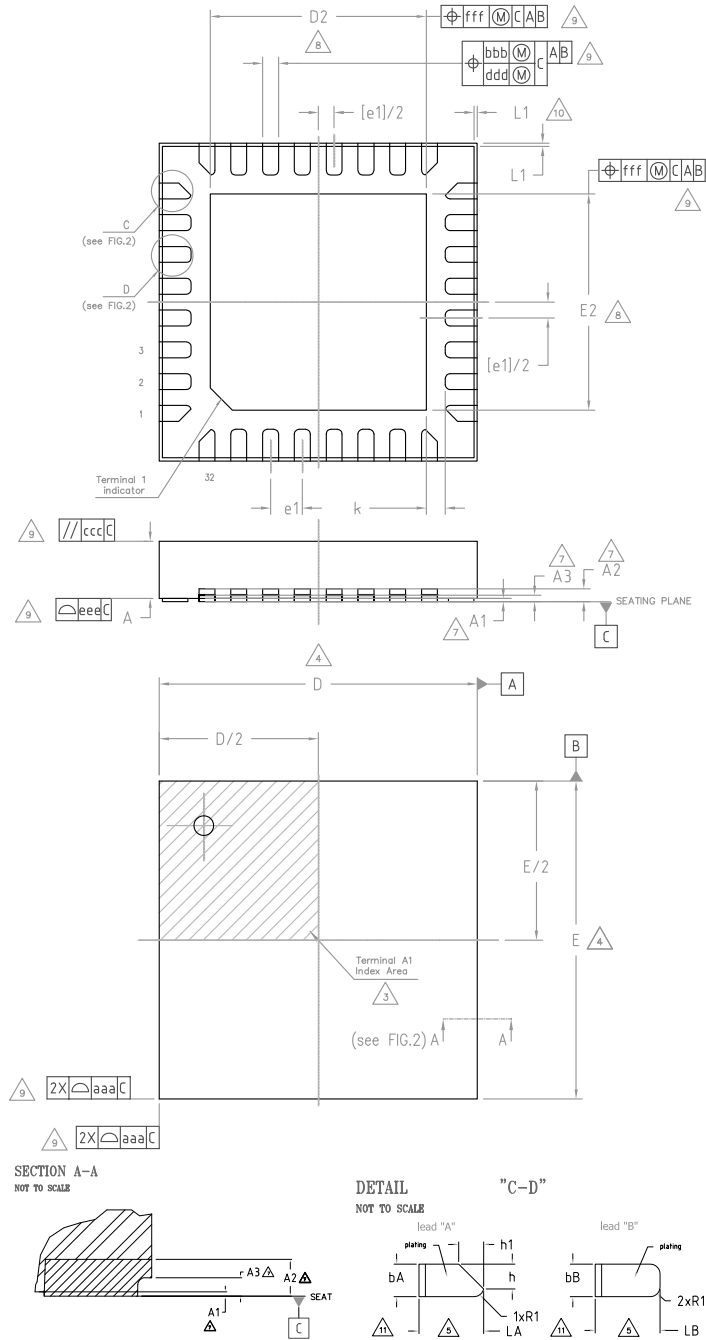


Table 3. QFN 5X5 EP 3.5x3.5 32L WITH WETTABLE FLANKS mechanical data

Symbol	Dimension in mm		
	Min.	Typ.	Max.
A	0.80	0.90	1.00
A1	0	-	0.05
A2	-	0.2 REF	-
A3	0.10	-	-
D	5.00 BSC		
D2	3.40	3.50	3.60
E	5.00 BSC		
E2	3.40	3.50	3.60
e1	0.50 BSC		
k	0.20	-	-
L1	-	-	0.05
La	0.40	0.50	0.60
bA	0.20	0.25	0.30
h	-	0.19 REF	-
h1	-	0.19 REF	-
LB	0.45	0.50	0.55
bB	0.20	0.25	0.30
N	32		
R1	-	-	0.10
Tolerance of form and position			
aaa	-	0.15	-
bbb	-	0.10	-
ccc	-	0.10	-
ddd	-	0.05	-
eee	-	0.08	-
fff	-	0.10	-

Revision history

Table 4. Document revision history

Date	Version	Changes
07-Mar-2022	1	Initial release.
29-Jun-2022	2	Updated Section Features .

Contents

1	Block diagram and pins description.....	3
2	Electrical specifications	7
2.1	Thermal data	7
3	General information	8
4	Package information.....	9
4.1	QFN32 5x5x1 (3.5x3.5 32L exp. pad down) package information	9
	Revision history	11

List of tables

Table 1.	Pins description	5
Table 2.	Thermal resistance.	7
Table 3.	QFN 5X5 EP 3.5x3.5 32L WITH WETTABLE FLANKS mechanical data	10
Table 4.	Document revision history	11

List of figures

Figure 1.	Block diagram	3
Figure 2.	Pin connection diagram (bottom view)	4
Figure 3.	Application diagram.	6
Figure 4.	QFN 5X5 EP 3.5x3.5 32L WITH WETTABLE FLANKS package outline	9

IMPORTANT NOTICE – READ CAREFULLY

STMicroelectronics NV and its subsidiaries (“ST”) reserve the right to make changes, corrections, enhancements, modifications, and improvements to ST products and/or to this document at any time without notice. Purchasers should obtain the latest relevant information on ST products before placing orders. ST products are sold pursuant to ST’s terms and conditions of sale in place at the time of order acknowledgment.

Purchasers are solely responsible for the choice, selection, and use of ST products and ST assumes no liability for application assistance or the design of purchasers’ products.

No license, express or implied, to any intellectual property right is granted by ST herein.

Resale of ST products with provisions different from the information set forth herein shall void any warranty granted by ST for such product.

ST and the ST logo are trademarks of ST. For additional information about ST trademarks, refer to www.st.com/trademarks. All other product or service names are the property of their respective owners.

Information in this document supersedes and replaces information previously supplied in any prior versions of this document.

© 2022 STMicroelectronics – All rights reserved