



369 SHIELDED PCB RECTANGULAR CONNECTOR

HIGH-RELIABILITY, LIGHTWEIGHT CONNECTORS THAT PROVIDE AN ENHANCED PRODUCT EXTENSION TO THE 369 FAMILY

369 Shielded PCB Rectangular Connector



TE Connectivity's (TE) 369 shielded PCB connector brings an enhanced product extension to the current 369 connector family



Shielded Panel



Shielded Panel PCB



Shielded PCB

EASY TO INSTALL

- No fasteners
- Simple push/pull mating

VERSATILE

- Compatible with existing 369 connector series
- Easily removed for maintenance
- Meets ARINC 854 ethernet over single twisted pair (100Base-T1)
- MIL-DTL-38999 levels of performance

SPACE SAVING

- Compact design
- Tight mounting pitch of multiple connectors
- No additional space required for fasteners

WEIGHT SAVING

- Composite nickel plated shells
- No additional fasteners required

RUGGED

- Low smoke, toxicity and flammability
- Excellent temperature, vibration and fluid resistance
- Triple barrier wire seals
- Cork-in-bottle interface seal

CONVENIENT

- Standard braid termination and boots
- Uses AS39029 size 22 contacts
- Straight and tin dipped contact options available
- Conductive gasket
- Lockout with simple zip tie

ENVIRONMENTALLY FRIENDLY

- Low smoke, toxicity and flammability

RELIABLE

- Positive button latching mechanism with audible click
- 100% scoop proof and allows blindmating

Description

TE Connectivity (TE)'s new 369 shielded pcb connector brings an enhanced product extension to the current 369 connector family where ambient EMI noise protection is required.

Markets/Applications Served

Markets

- Commercial Aerospace
- Helicopter
- Drones and UAVs
- Military Ground Vehicles
- Mass Transit

Applications

- Lighting
- On-Board Entertainment
- Seat Wiring and Actuators
- Galley

Performance Characteristics

ELECTRICAL

- **Dielectric Withstanding Voltage:** 1500 Vrms mated, <2 mA leakage
- **Operating Current:** 5 A
- **Insulation Resistance:** ≥5000 MΩ initial
- **EMI Shielding Effectiveness:**

65dB @ 150MHz	55dB @ 400MHz
60dB @ 200MHz	45dB @ 800MHz
55dB @ 300MHz	43dB @ 1GHz
- Lightning strike
- 3.6kA per EIA-364, Test procedure 75, Type B, Level 1

MECHANICAL

- **Operating Temperature:** -55°C to +175°C
- **Fluid Resistance:** EN2591-315
- **IP Rating:** IP67
- **Vibration:** EN2591-403, Method B, Level E, 8 hr/axis
- **Shock:** EN2591-402, Method A, Severity 100
- **Smoke and Toxicity:** FAR 25.853, Appendix F; ABD0031
- **Flammability:** FAR 25.853, Appendix F; EN2591-317

369 Shielded PCB Rectangular Connector

MATERIALS

- **Body and Insert:** Thermoplastic
- **Contacts:** Copper alloy /gold plated
- **Seals and Panel Gasket:** Silicone/fluorosilicone
- Designed to meet the requirements of RoHS
- **Plating:** Electroless nickel plating

ADDITIONAL KEY REQUIREMENTS

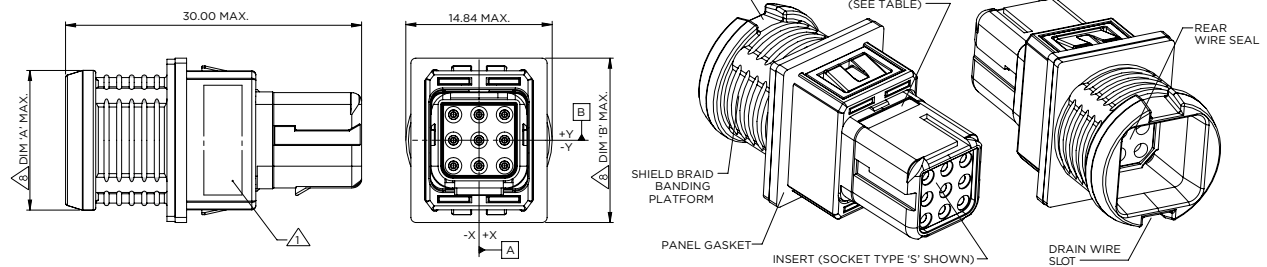
- **Recommended TE Ziptie Boot (Size 9) P/N:** EP5130-000
- **Recommended TE Ziptie Boot (Size 3 and 6) P/N:** EP5126-000
- **Recommended TE Bandstrap P/N:** BND-0812S

Product Offering: Shielded Panel Receptacle

Part Number	Mating Part Number	Description
YD369-MB33-NS10000	YD369-MP33-NP10000	369 SHIELDED 3 WAY PANEL REC, CRIMP, SKT
YD369-MB66-NS10000	YD369-MP66-NP10000	369 SHIELDED 6 WAY PANEL REC, CRIMP, SKT
YD369-MB99-NS10000	YD369-MP99-NP10000	369 SHIELDED 9 WAY PANEL REC, CRIMP, SKT

Dimensions

Part Number	Dimension 'A'	Dimension 'B'
D369-MB33-***	9.33	11.34
D369-MB66-***	11.75	13.88
D369-MB99-***	14.18	16.42

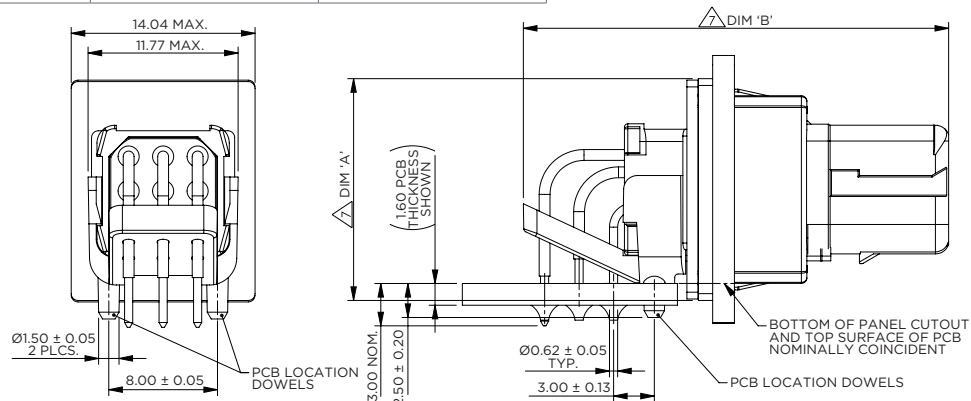


Product Offering: Shielded Panel PCB Receptacle

Part Number	Mating Part Number	Description
YD369-MB33-NS40000	YD369-MP33-NP10000	369 SHIELDED 3 WAY PNL REC, 90 PCB AU, SKT
YD369-MB66-NS40000	YD369-MP66-NP10000	369 SHIELDED 6 WAY PNL REC, 90 PCB AU, SKT
YD369-MB99-NS40000	YD369-MP99-NP10000	369 SHIELDED 9 WAY PNL REC, 90 PCB AU, SKT

Dimensions

Shell Size	Dimension 'A' Max.	Dimension 'B' Max.
3	9.23	26.8
6	11.77	29.4
9	14.31	32.0



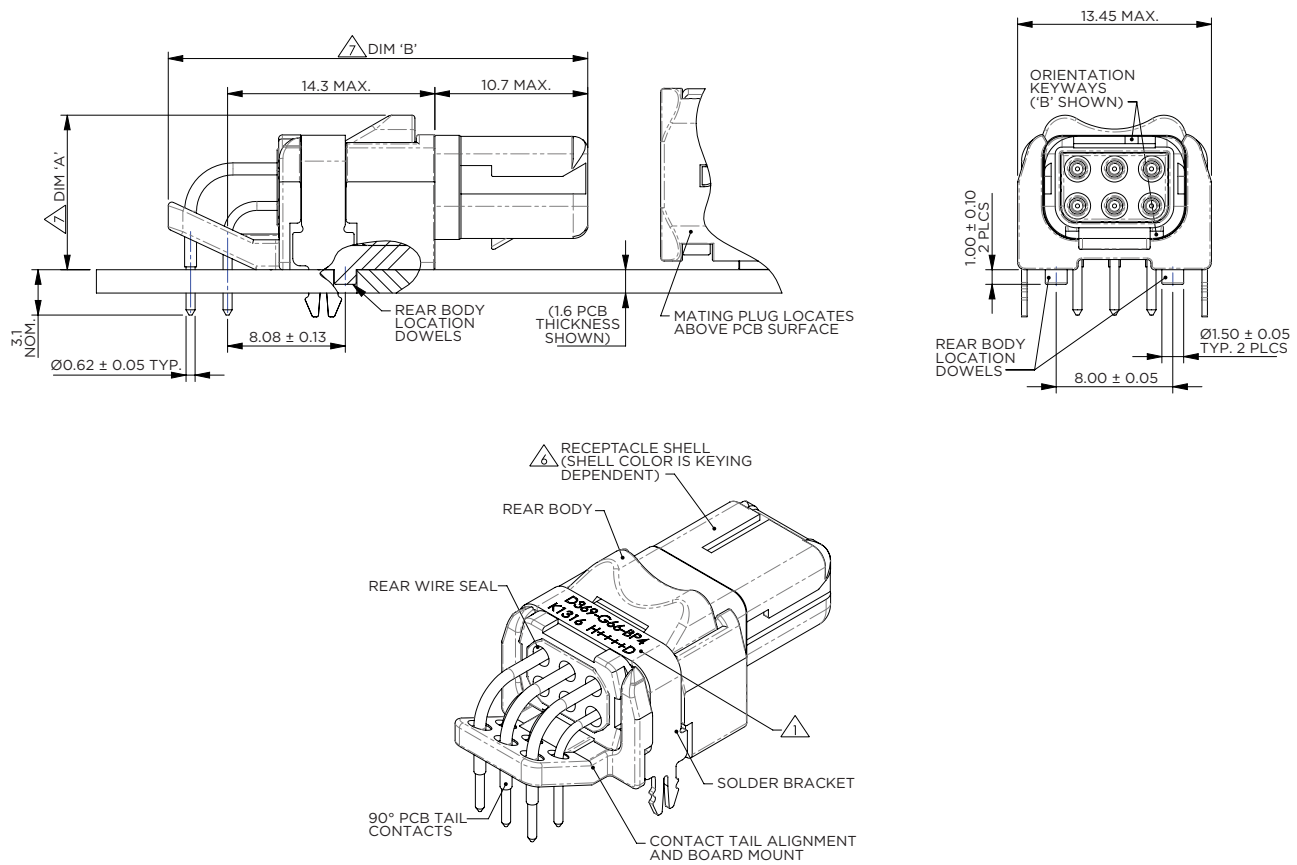
369 Shielded PCB Rectangular Connector

Product Offering: Shielded PCB Receptacle

Part Number	Mating Part Number	Description
YD369-MG33-NS40000	YD369-MP33-NP10000	369 SHIELDED 3 WAY PCB REC, 90 PCB AU, SKT
YD369-MG66-NS40000	YD369-MP66-NP10000	369 SHIELDED 6 WAY PCB REC, 90 PCB AU, SKT
YD369-MG99-NS40000	YD369-MP99-NP10000	369 SHIELDED 9 WAY PCB REC, 90 PCB AU, SKT

Dimensions

Shell Size	Dimension 'A' Max.	Dimension 'B' Max.
3	8.4	26.6
6	10.9	29.1
9	13.4	31.6



369 Shielded PCB Rectangular Connector

Single Pair Ethernet Cable



TE Description	TE Part Number	Temperature Range (°C)	Jacket OD (in/mm), Nom.	ARINC 854 Connector Compatibility	Molded Boot Compatibility
0024B8424-9	EP3169-000	-65°C to +150°C	0.161 (4.089)	MP33-NP10000	202D971-4/86-0
0026G8424-9	EP3166-000	-65°C to +150°C	0.135 (3.429)	MP33-NP10000	202D971-4/86-0

Additional constructions and custom designs available upon request - please contact your local account representative for questions

Recommended TE Bandstrap Part Number: BND-0812S

Complete System Solutions



Molded Parts

- Molded part shape designed specifically for use with 369 connector and single-pair ethernet cable
- Flexible polyolefin (-4) material provides strain relief, environmental sealing, and abrasion resistance
- High temperature adhesive (/86) for bonding with cable jacket or heat shrink tubing
- Low profile design and 2:1 heat shrink ratio for ease of installation

Series	TE Part Number	
Size 9 Ziptie Boot	202D972-4/86-0	EP5130-000
Size 6/3 Ziptie Boot	202D971-4/86-0	EP5126-000

Empower Engineers to Solve Problems, Moving the World Forward.

AMP | AGASTAT | CII | DEUTSCH | DRI | HARTMAN | KILOVAC
MICRODOT | NANONICS | POLAMCO | Raychem | SEACON

CONNECT WITH US

We make it easy to connect with our experts and are ready to provide all the support you need. Visit te.com/support to chat with a Product Information Specialist.

QUALITY STARTS WITH THE RIGHT APPLICATION TOOLING

Creating a quality crimp connection is essential to delivering high performance and reliability in extreme environments. From low to high volume wire processing, TE has you covered with a full range of application tooling and a global field service team.

- [View all application tooling](#)
- [Connect with our experts to find the right tool for your application](#)

te.com/369-shielded-pcb

AMP, AGASTAT, CII, DEUTSCH, DRI, HARTMAN, KILOVAC, MICRODOT, NANONICS, POLAMCO, Raychem, Rochester, SEACON, TE, TE Connectivity, and TE connectivity (logo) are trademarks owned or licensed by TE Connectivity. All other logos, products and/or company names referred to herein might be trademarks of their respective owners.

The information given herein, including drawings, illustrations and schematics which are intended for illustration purposes only, is believed to be reliable. However, TE Connectivity makes no warranties as to its accuracy or completeness and disclaims any liability in connection with its use. TE Connectivity's obligations shall only be as set forth in TE Connectivity's Standard Terms and Conditions of Sale for this product and in no case will TE Connectivity be liable for any incidental, indirect or consequential damages arising out of the sale, resale, use or misuse of the product. Users of TE Connectivity products should make their own evaluation to determine the suitability of each such product for the specific application.

© 2022 TE Connectivity All Rights Reserved.

2432429-1 10/22

369 SHIELDED PCB RECTANGULAR CONNECTOR

TE Connectivity
Aerospace, Defense & Marine
2900 Fulling Mill Road
Middletown, PA 17057