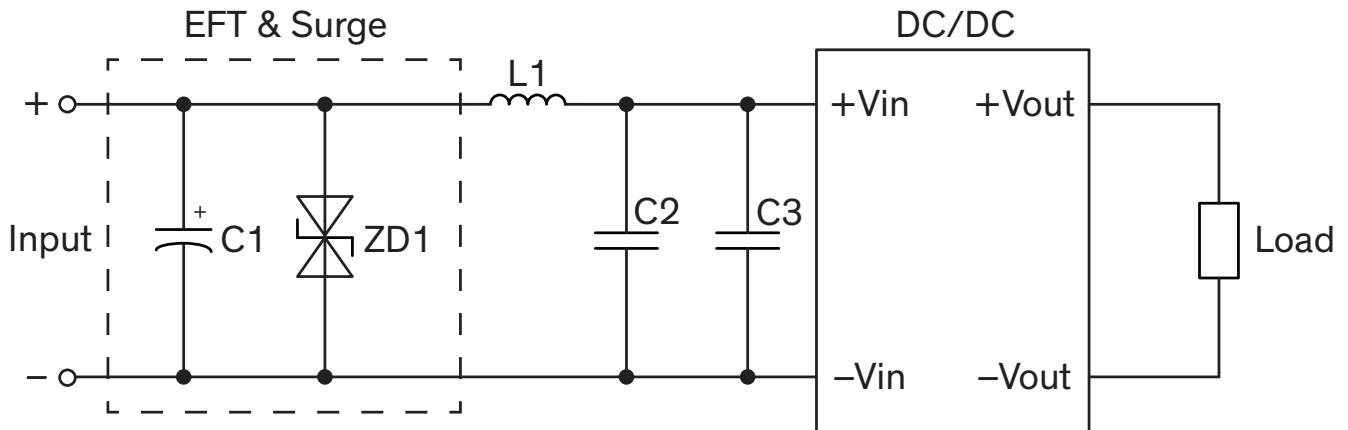


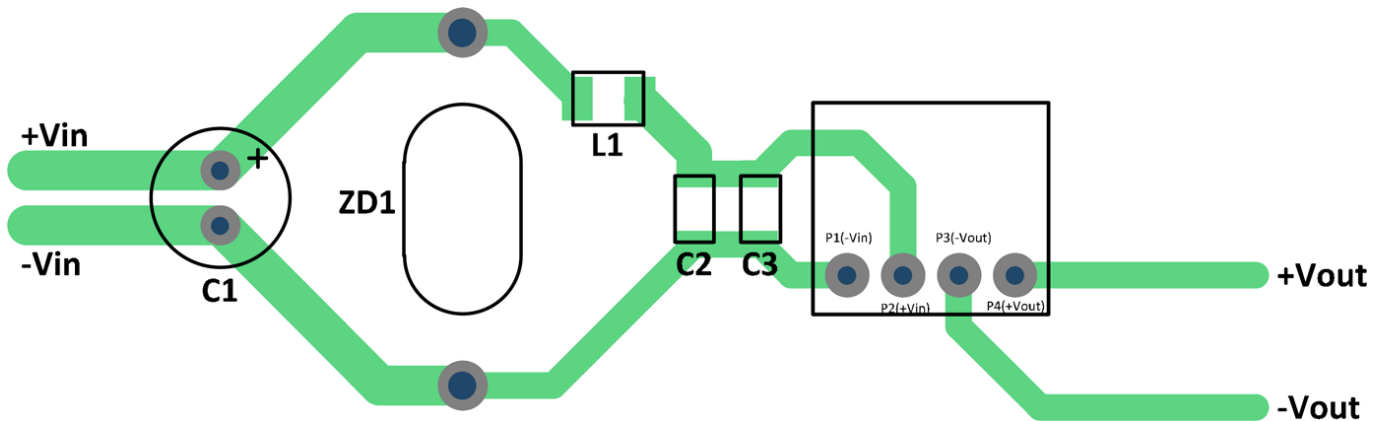
EMI Consideration

Suggested filter to comply with EN 55032 Conducted and Radiated Emissions Class A limits, EFT & Surge

Circuit suggestion



PCB layout suggestion



Suggested components to comply w/ EN 55032 Conducted & Radiated Emissions Class A limits, EFT & Surge

Model	EFT & Surge		L1	C2	C3
	C1	ZD1			
TMU 3-05xx	330 μ F / 16 V Al. Cap. KY Series	1.5KE7.5CA (TVS Bi.)	3.3 μ H / 1.35 A 2512 WE-LQS 74404024033	22 μ F / 35 V 1206 X5R	1 μ F / 100 V 1206 X7R
TMU 3-12xx	470 μ F / 16 V Al. Cap. KY Series	1.5KE18CA (TVS Bi.)			
TMU 3-24xx	560 μ F / 35 V Al. Cap. KZH Series	1.5KE33CA (TVS Bi.)			