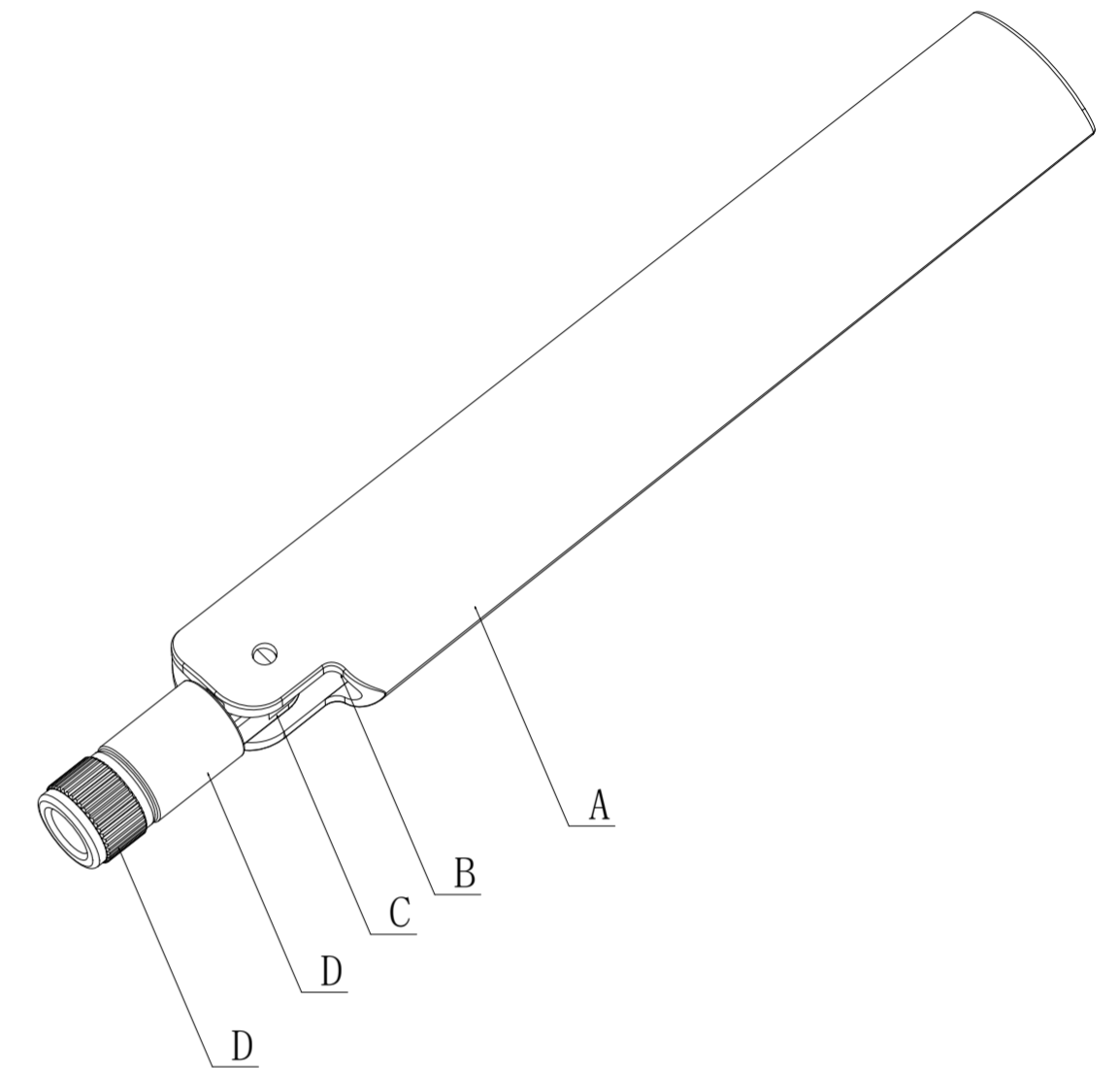
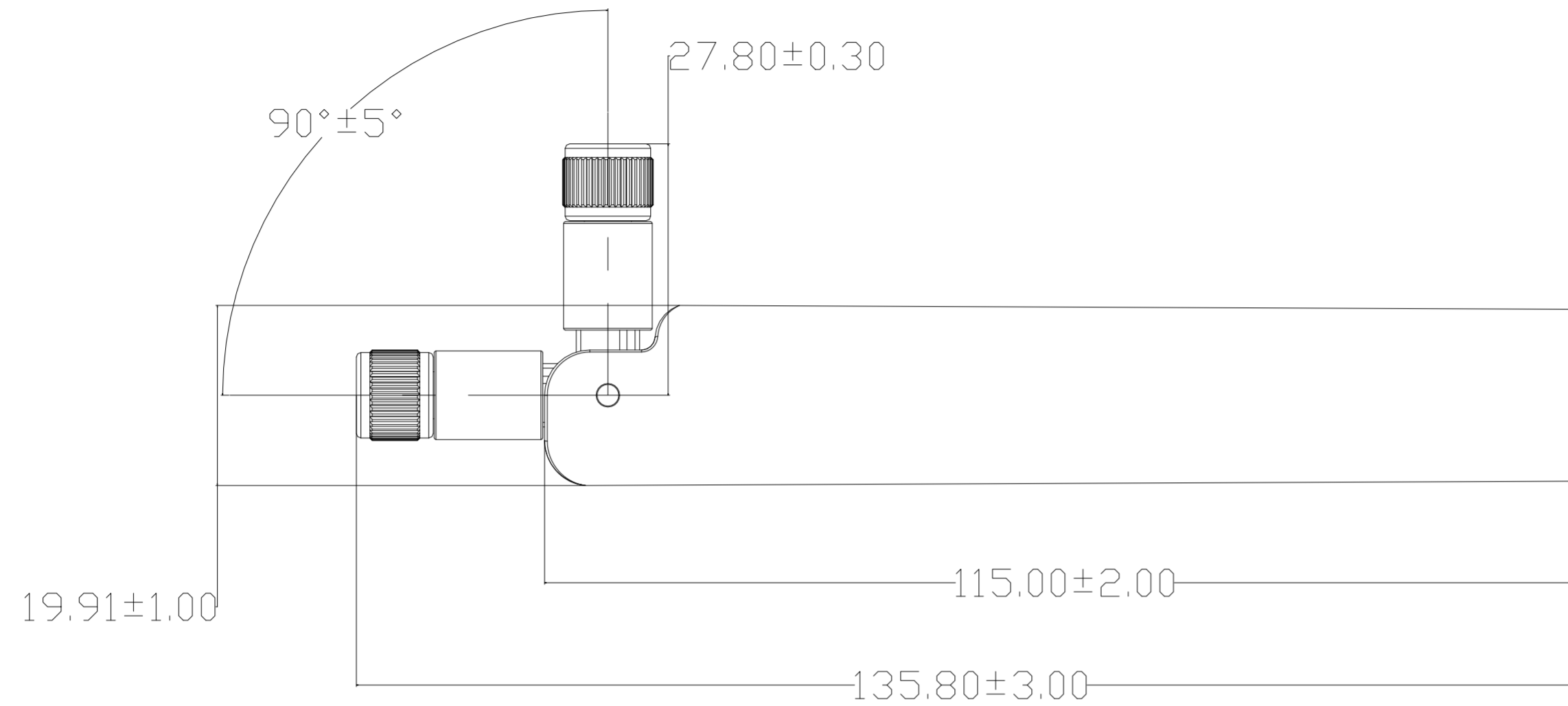


REVISIONS					
P	LTR	DESCRIPTION	DATE	DWN	APVD
A		GO TO PRODUCTION	07JUL2021	DC	AC



NOTES:

1. Electrical:
 - 1.1. Frequency: 600MHz-6000MHz Operation
 - 1.2. Impedance: 50 ohm
 - 1.3. Polarization: LINEAR
 - 1.4. OPERATING/STORAGE TEMPERATURE -20°C to +65°C
 - 1.4. RETURN LOSS : <=-10dBi
 - 1.6. GAIN PEAK: -0.9~2.93dBi
2. Enviromental:
 - 2.2 Salt test :48 hrs
3. All material must meet RoHS Request.
4. MATERIALS : REFER TO TABLE.
5. PACLAGE : TO BE SECURELY BAG WRAPPED, BAGGED
6. CONSULT TE CONNECTIVITY DATASHEET DS 2195889

E	TINWIRE		SAC305 ϕ 0.6mm
D	SMA	1	MALE SMA WITH CASE
C	cable	1	RG178
B	PCB	1	HF-140
A	HOUSE	1	ABS PA757
NO	ITEM	Q' TY	MATERIAL / FINISH

TE PN	2195889-1	2195889-2
ENCLOSURE COLOR	BLACK	WHITE

THIS DRAWING IS A CONTROLLED DOCUMENT.		DWN	DC HSIANG	13APR2021		TE Connectivity				
		CHK	SHIN_HOO	13APR2021		NAME				
		APVD	AMOS_CHEAH	13APR2021		External Ant, SMA, 600-6000MHz				
		PRODUCT SPEC				-				
DIMENSIONS:		TOLERANCES UNLESS OTHERWISE SPECIFIED:		APPLICATION SPEC		SIZE		CAGE CODE	DRAWING NO	RESTRICTED TO
mm		0 PLC ± -		-		A2		00779	C=2195889	-
		1 PLC ± -		-		SCALE		SHEET	1 OF 1	REV
		2 PLC ± -		-		1:1		1		A
		3 PLC ± -		-		CUSTOMER DRAWING				
		4 PLC ± -		-						
		ANGLES ± -		-						
MATERIAL		FINISH		WEIGHT						
-		-		0						