

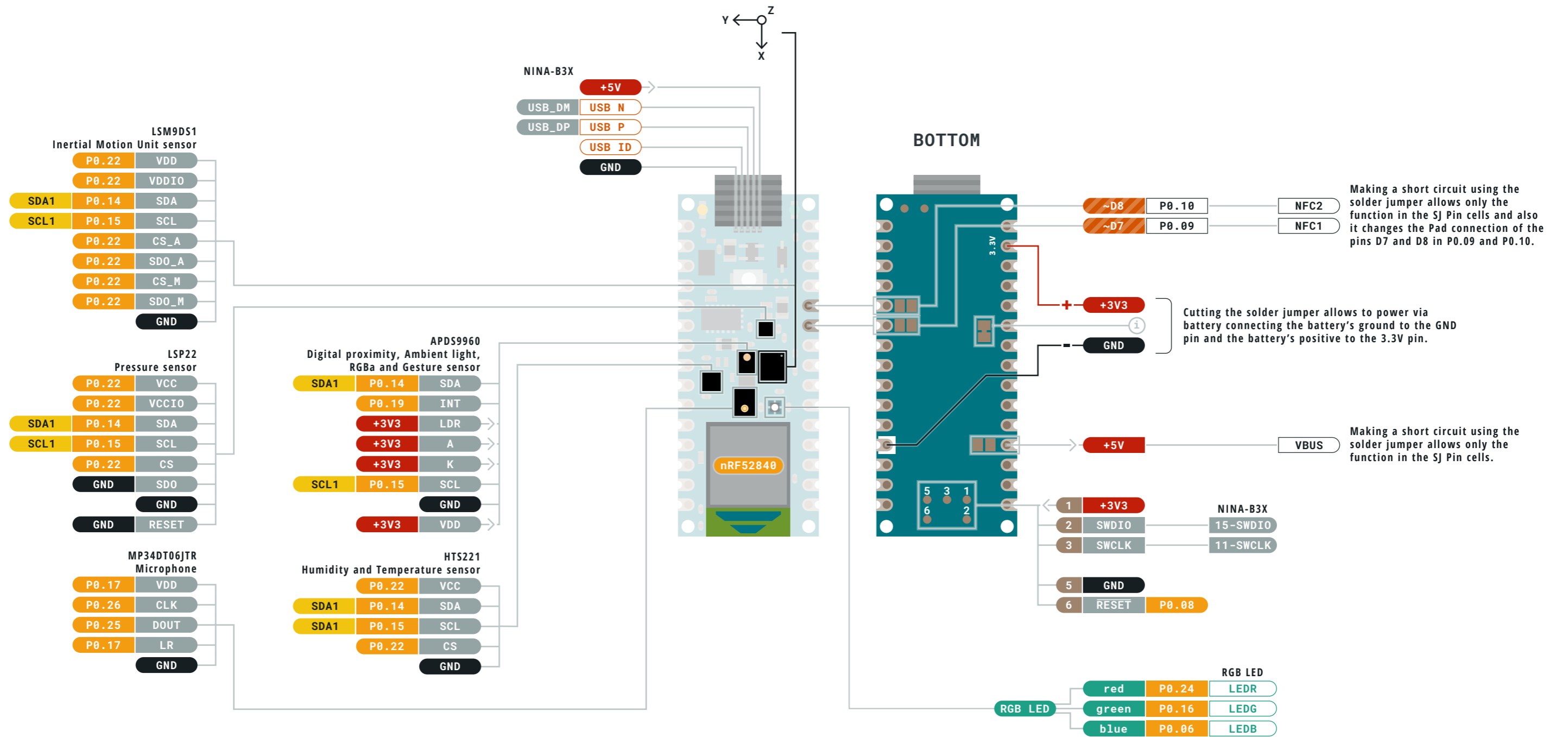
- Ground
- Power
- LED
- Internal Pin
- SWD Pin
- Digital Pin
- Analog Pin
- Other Pin
- Microcontroller's Port
- Default

- ⚠ **MAXIMUM** output current per pin is 15mA
- ⚠ **MAXIMUM** input current per pin is 5mA
- ⚠ **MAXIMUM** external current is 25mA for the sum of all GPIO currents and the current being drawn from VDD

VIN 5-21 V input to the board.

NOTE: CIPO/COPI have previously been referred to as MISO/MOSI





- Ground
- Power
- LED
- Internal Pin
- SWD Pin
- Digital Pin
- Analog Pin
- Other Pin
- Microcontroller's Port
- Default
- SJ Pin: Making a short circuit using the solder jumper allows only the function in the SJ Pin cells.

- MAXIMUM** output current per pin is 15mA
- MAXIMUM** input current per pin is 5mA
- MAXIMUM** external current is 25mA for the sum of all GPIO currents and the current being drawn from VDD

VIN 5-21 V input to the board.
NOTE: CIPO/COPI have previously been referred to as MISO/MOSI

