

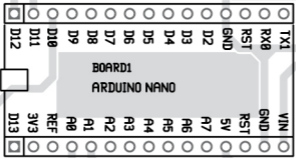
12255C

ANT.1  
ANT  
Vcc  
DATA  
GND

TX1

433MHZ RF TX MODULE

R1 470E



J2

CON1  
FOR  
9V



SS1 SOIL SENSOR MODULE

LED1

TX

R3 10K

R2 10K

CON3 FOR  
DHT11

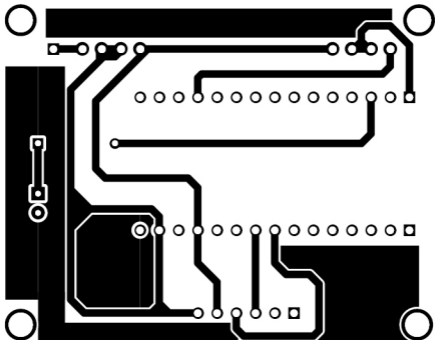
LDR1

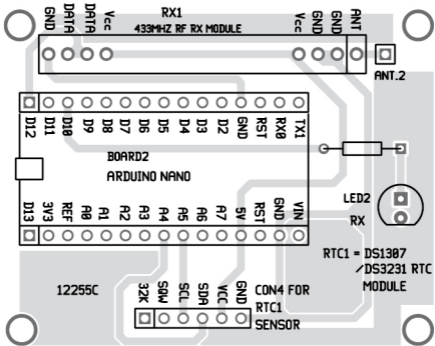
CON2  
FOR SS1



J1, J2 = JUMPER

J1





RX1  
433MHZ RF RX MODULE

Vcc  
DATA  
DATA  
GND

ANT  
GND  
GND  
Vcc

ANT.2

BOARD2  
ARDUINO NANO

D12	D11	D10	D9	D8	D7	D6	D5	D4	D3	D2	GND	RST	RX8	TX1
D13	3V3	REF	A0	A1	A2	A3	A4	A5	A6	A7	5V	RST	GND	VIN

LED2  
RX

RTC1 = DS1307  
/DS3231 RTC  
MODULE

12255C

CON4 FOR  
RTC1  
SENSOR

32K	SQW	SCL	SDA	VCC	GND
-----	-----	-----	-----	-----	-----