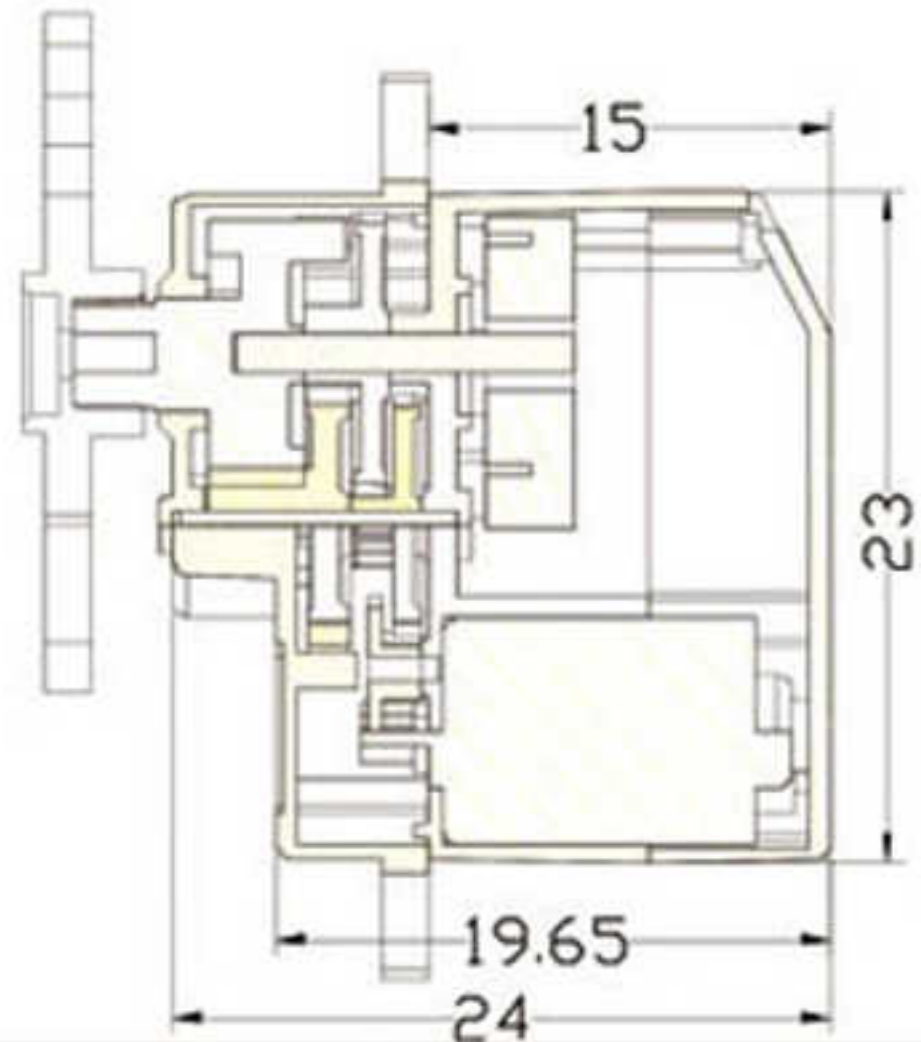
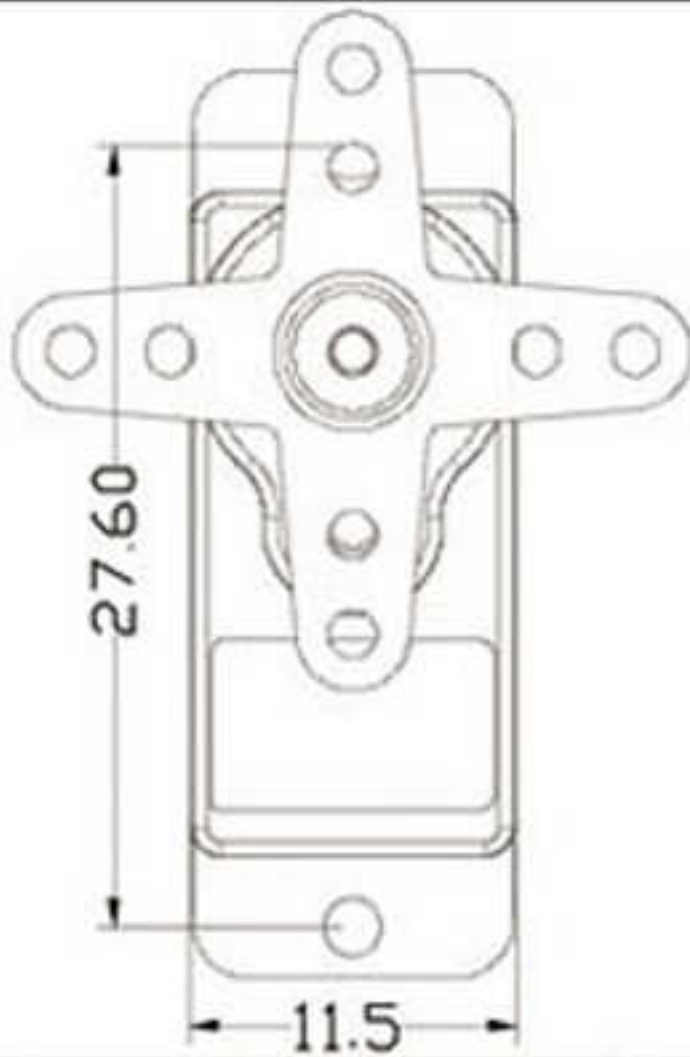


# Mini SERVO (ES08A) SERIES

## SERVO ES08A SPECIFICATIONS



**Operating Voltage:**

4.8~6.0V

**STD Direction:**

Counter Clockwise / Pulse Traveling 1500 to 1900usec

**Stall Torque:** 4.8V

1.5 Kgf.cm(21.0 oz.in)

**Operating Speed:** 4.8V

0.12 Sec/60° at no load

**Stall Torque:** 6.0V

1.8 Kgf.cm( 25.2 oz.in)

**Operating Speed:** 6.0V

0.10 Sec/60° at no load

**Size:**

23X11.5X24 mm

**Weight:**

8.5 g(0.31 oz)

**Plug Available**

FUT ;JR

**Other**

Analog,Plastics