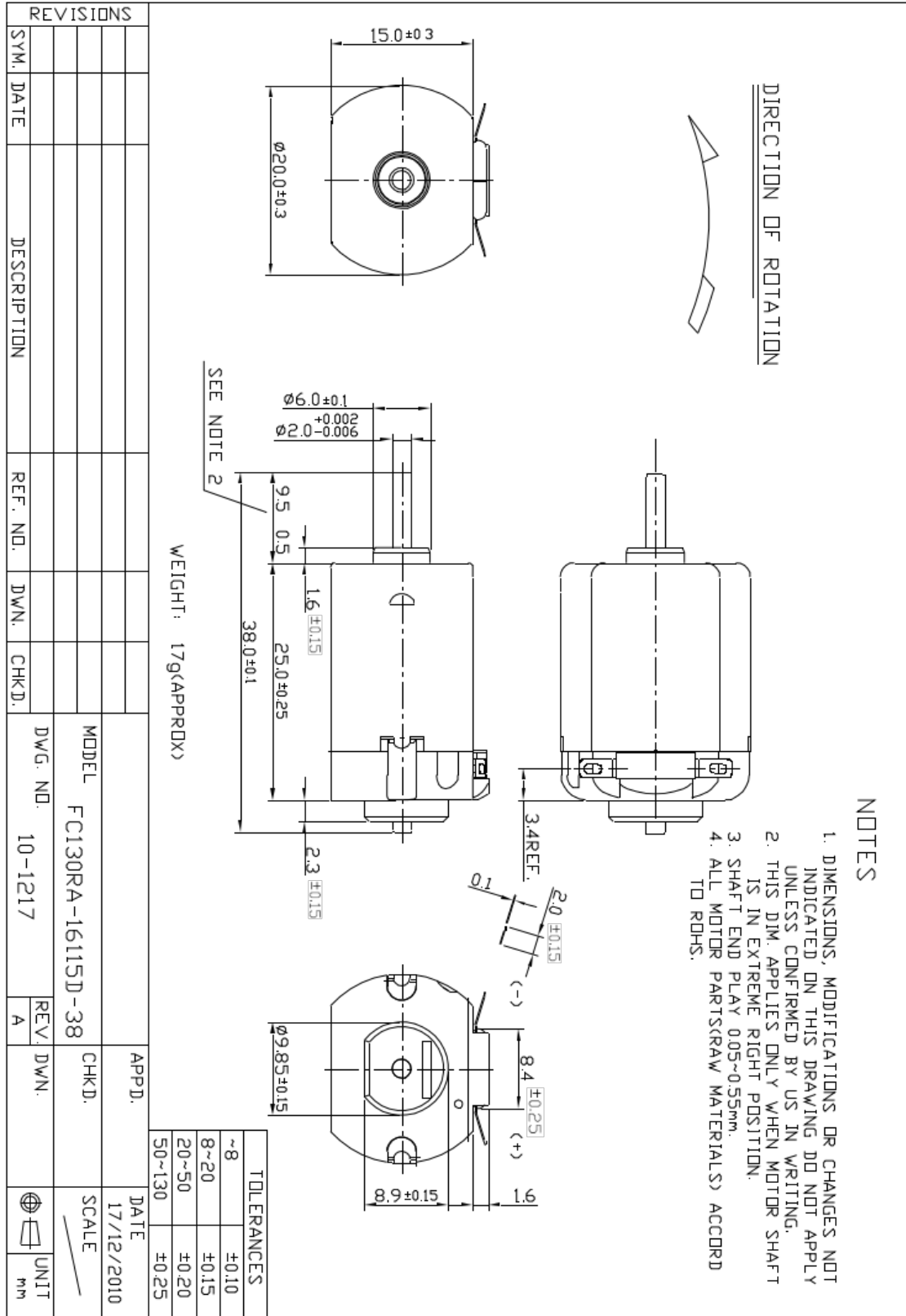
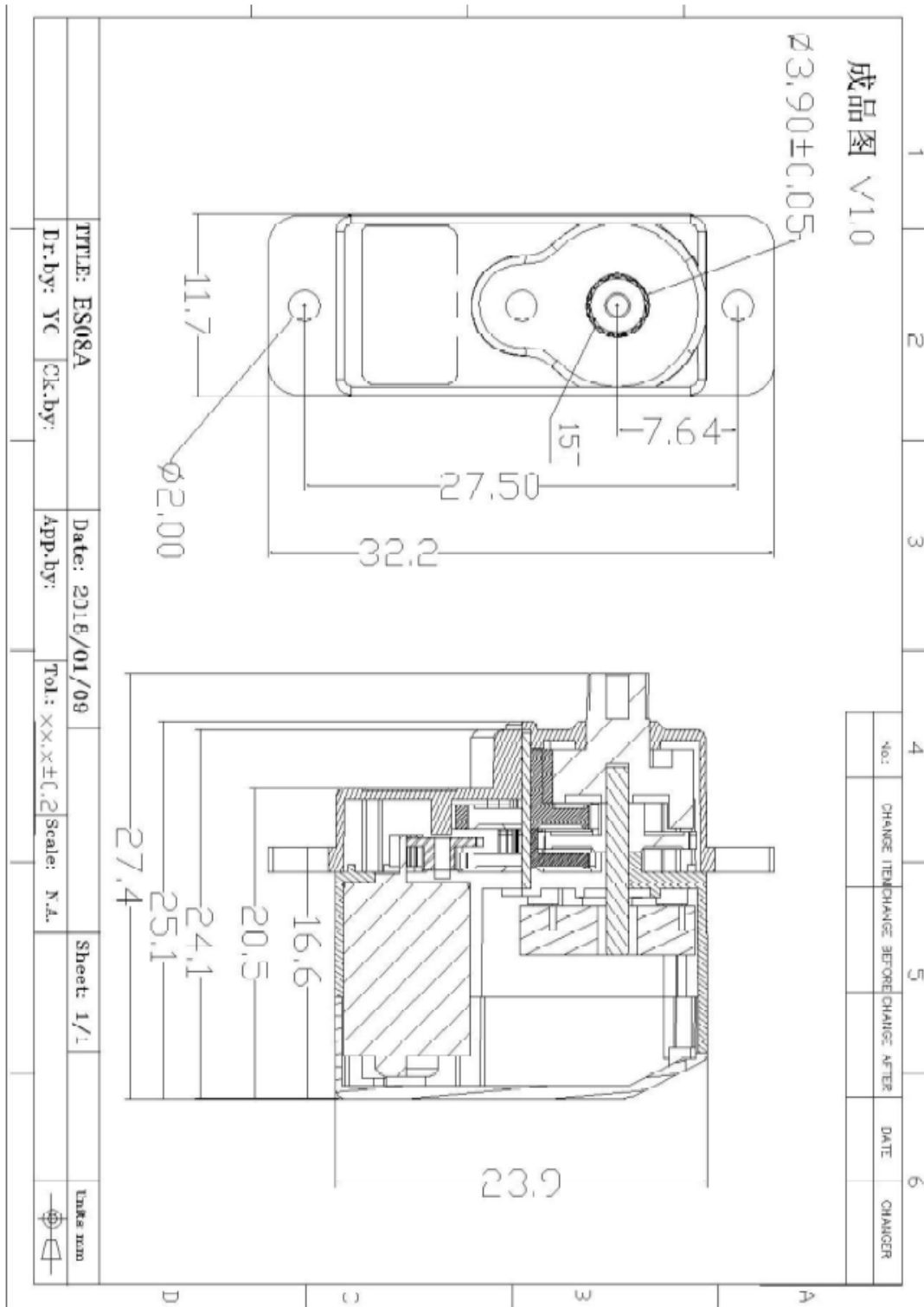


Part List

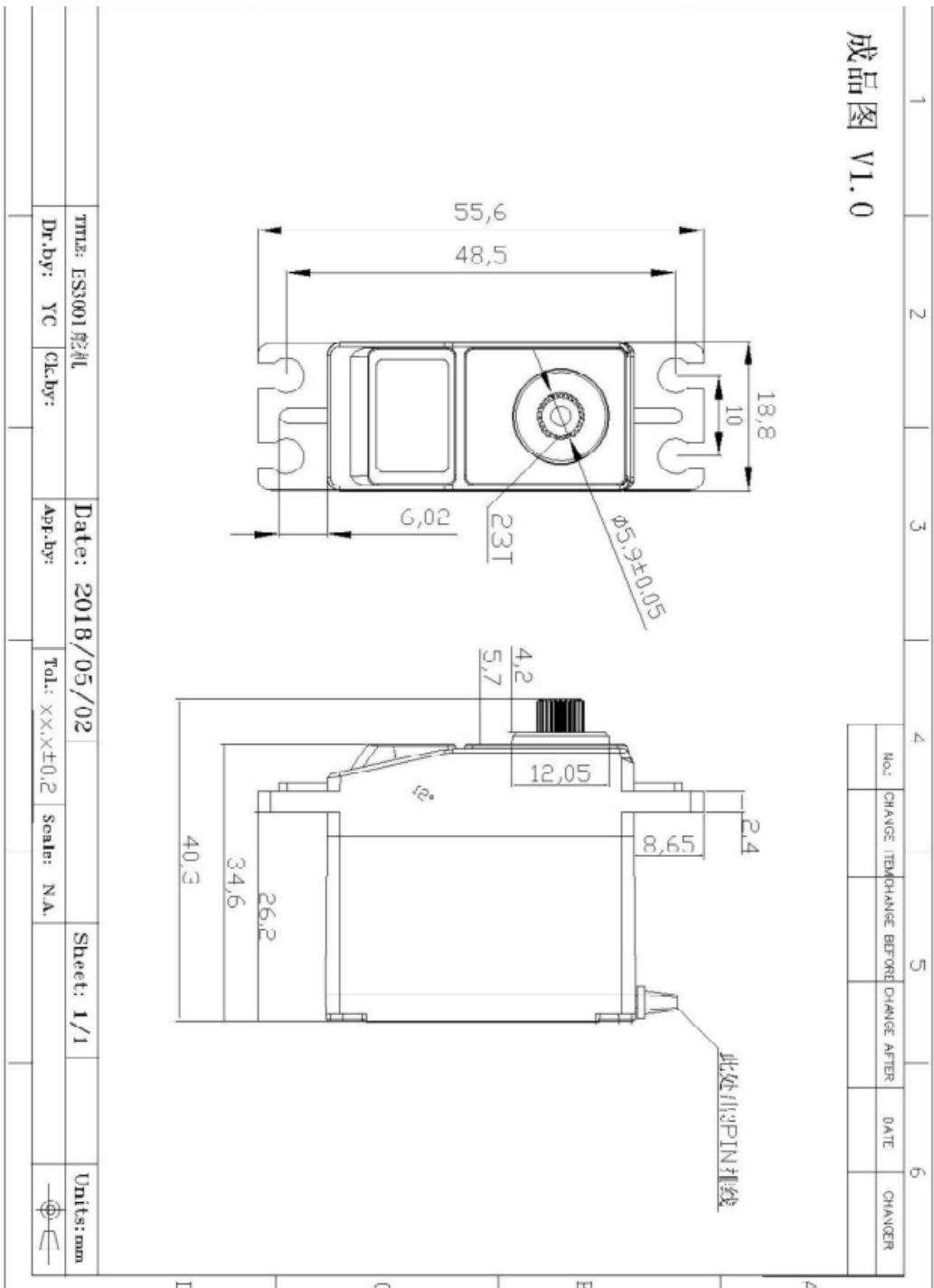
6V DC motor(13000 rpm ±14%) x2



- Standard servo x1 (Speed: 0.17/60°@4.8V; 0.14/60°@6.0V)
/(Torque: 3.5kg.cm@4.8V; 4.8kg.cm@6.0V)



- Micro servo x1(Speed: 0.12/60°@4.8V; 0.10/60°@6.0V)
/(Torque: 1.5kg.cm@4.8V; 1.8kg.cm@6.0V)



Title: ES1001 舵机	Date: 2018/05/02	Sheet: 1/1	
Dr. by: YC	App. by:	Scale: N.A.	Units: mm
Cl. by:	Tol: XX.X±0.2		